

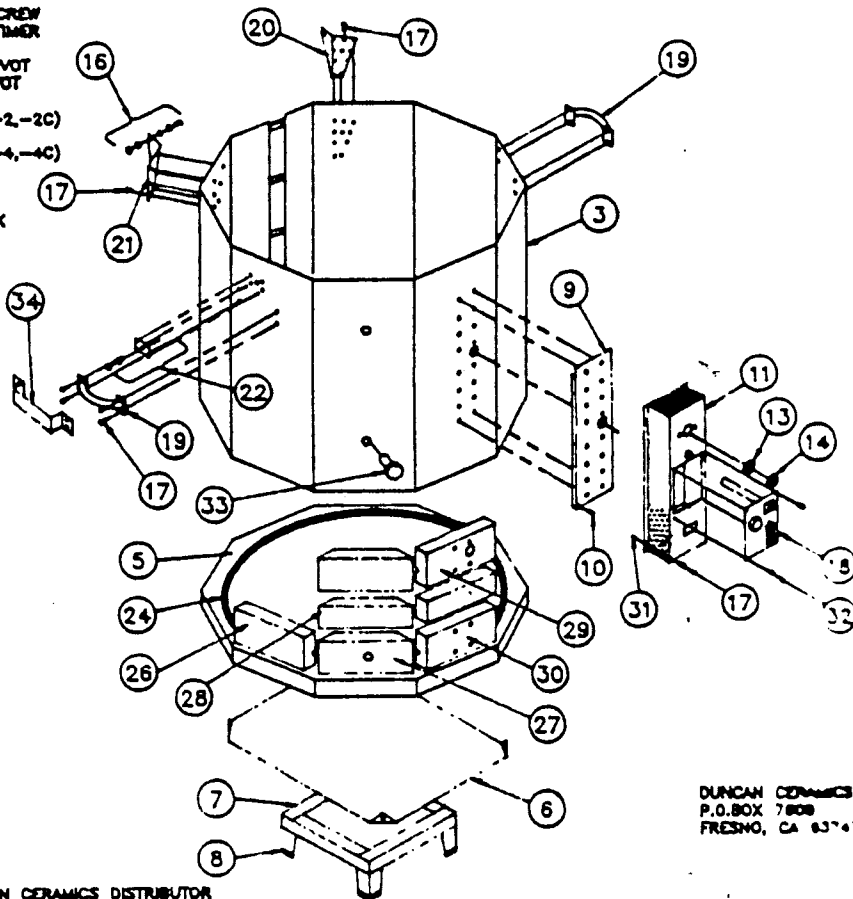
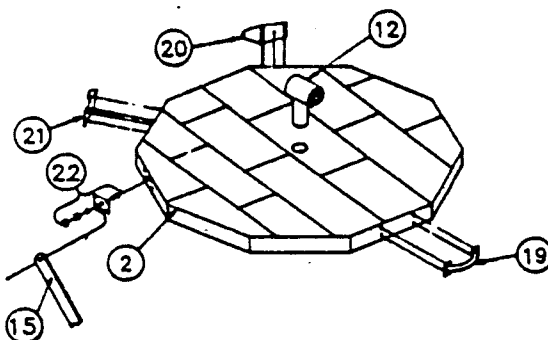
DUNCAN MODELS DA 1020-2,-4

BODY PARTS

REF PART
NO. NO.

DESCRIPTION

- | | | |
|-----|--------|--|
| 2. | KC 016 | 1020/29 BRICK LID (BANDED & COATED) WITH VENT HOLE |
| 3. | KC 081 | 1020/29 CASE W/CLAMPS |
| 5. | KC 003 | 1020/29 BRICK BOTTOM |
| 8. | KP 303 | 1020/29 BASE PLATE |
| 7. | KC 070 | 1020/29 STAND W/FEET |
| 6. | KE 030 | STAND FEET |
| 9. | KP 028 | 820,1020/29 HEAT SHIELD |
| 10. | KE 302 | #8 X 1" SHEET METAL SCREW |
| 11. | KC 080 | EA 1020 CONTROL PANEL SHELL |
| 12. | KE 031 | LID VENT PLUG |
| 13. | KM 302 | PAL NUT |
| 14. | KM 319 | EA SWITCH KNOB |
| 15. | KC 112 | 1020/29 LID SUPPORT |
| 16. | KC 222 | HINGE PIVOT KIT |
| 17. | KE 301 | #8 X 1/2" SHEET METAL SCREW |
| 18. | KM 208 | EA KILN SITTER W/SAFETY TIMER |
| 19. | KE 009 | HANDLE |
| 20. | KC 203 | 1020/29 RIGHT HINGE W/PIVOT |
| 21. | KC 213 | 1020/29 LEFT HINGE W/PIVOT |
| 22. | KC 115 | LID SUPPORT MOUNTING KIT |
| 24. | KE 223 | 1020/29 ELEMENT, 240V (-2,-2C) |
| | OR | |
| 26. | KE 233 | 1020/29 ELEMENT, 208V (-4,-4C) |
| 27. | KB 003 | 1020/29 GROOVED BRICK |
| 28. | KB 023 | 1020/29 PEEPHOLE BRICK |
| 29. | KB 043 | 1020/29 HALF BRICK |
| 30. | KB 053 | 1020/29 KILN-SITTER BRICK |
| 31. | KB 013 | 1020/29 TERMINAL BRICK |
| 32. | KE 341 | 1/8" STANDOFF |
| 33. | KE 303 | #8 X 1/2" SCREW |
| 34. | KA 030 | PEEPHOLE PLUG |
| | KC 117 | LID SUPPORT GUARD |



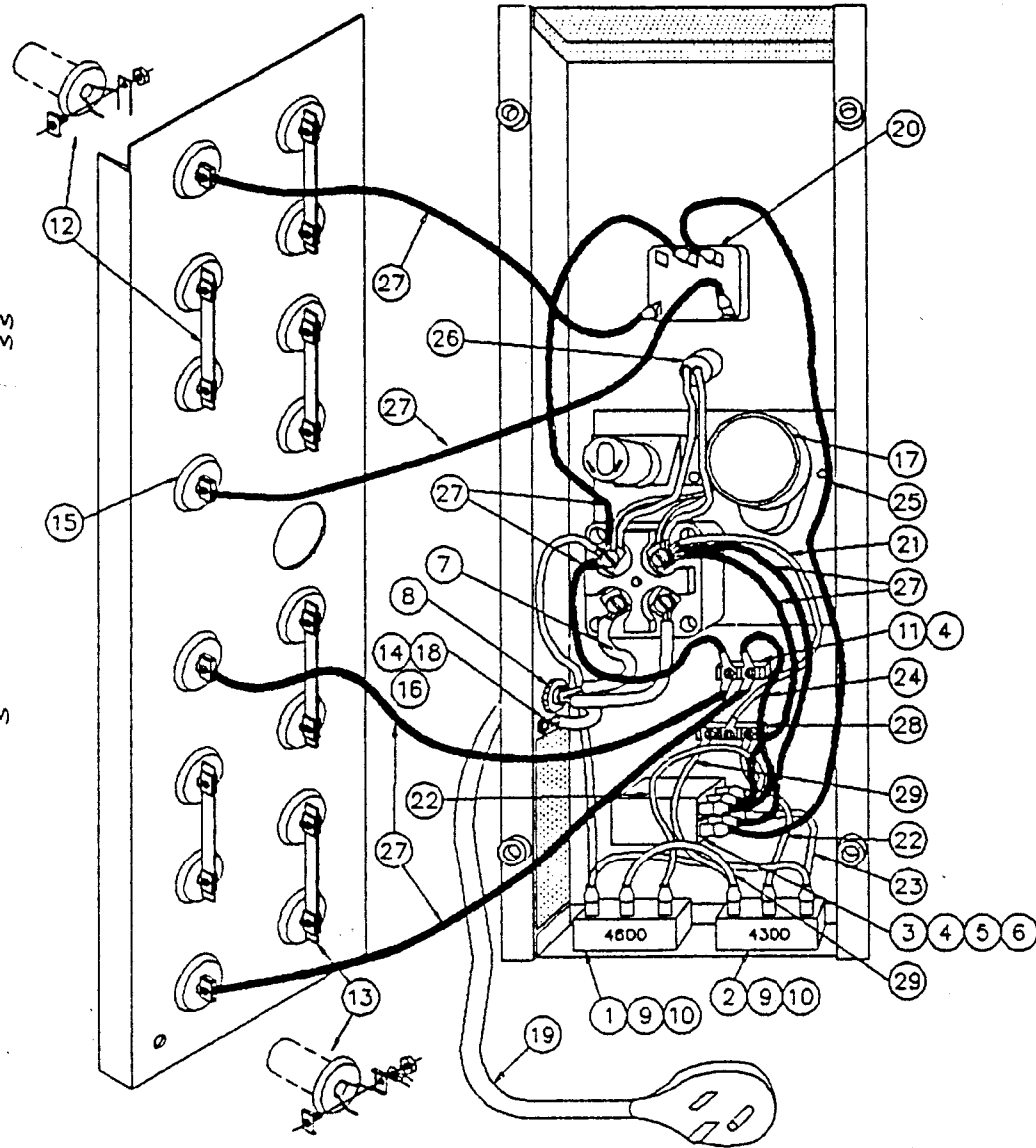
DUNCAN CERAMICS
P.O. BOX 7808
FRESNO, CA 93747

ORDER PARTS FROM YOUR AUTHORIZED DUNCAN CERAMICS DISTRIBUTOR

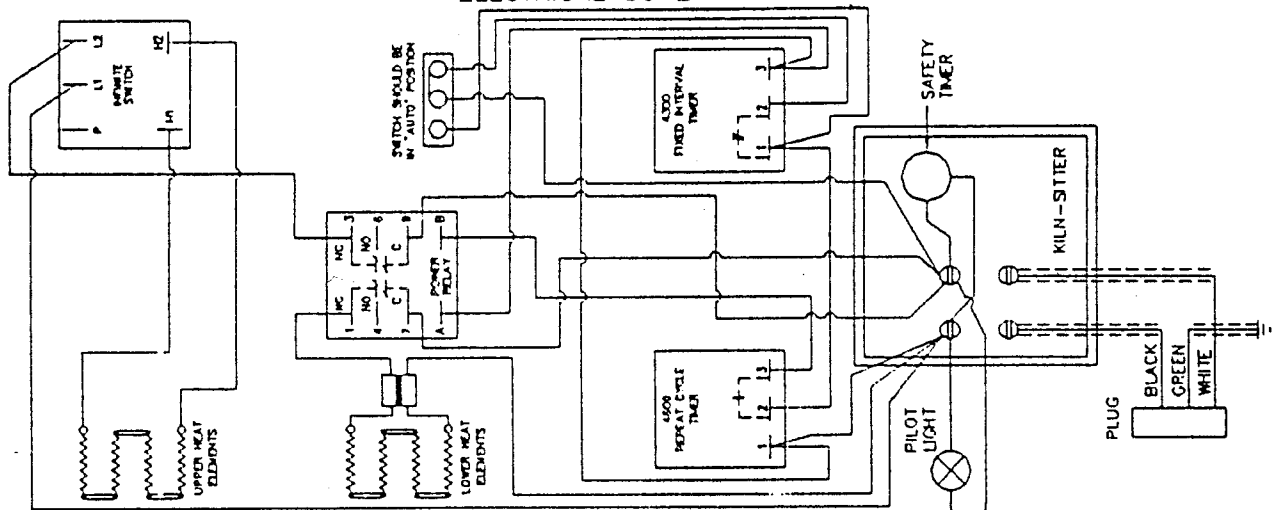
DUNCAN MODELS DA 1020-2,-4

CONTROL PANEL PARTS

- | REF. NO. | PART NO. | DESCRIPTION |
|----------|----------|--|
| 1. | KM 326 | 4800 Repeat Cycle Timer (240/208V) |
| 2. | KM 325 | 4300 Fixed Interval Timer (240/208V) |
| 3. | KM 324 | Power Relay (240/208V) |
| 4. | KE 314 | #8-32 X 1/2" Machine Screw |
| 5. | KE 322 | #6 Star Washer |
| 6. | KE 333 | #6-32 Hex Nut |
| 7. | KM 363 | 4" Fiberglass Sleeving |
| 8. | KM 342 | 620, Cord Strain Relief |
| 9. | KE 307 | #8-32 x 1-1/4" Machine Screw |
| 10. | KE 329 | #8-32 Hex Nut w/Washer |
| 11. | KE 098 | 2 Pole Terminal Strip |
| 12. | KC 309 | Standard Bus Bar Assembly |
| 13. | KC 319 | U-Terminal Assembly |
| 14. | KE 332 | #10-32 Hex Nut |
| 15. | KE 000 | Insulator |
| 16. | KE 321 | #10 Star Washer |
| 17. | KM 067 | Timer Motor (60 HZ) |
| 18. | KE 317 | #10-32 x 3/8" Machine Screw |
| 19. | KM 333 | 1020/29 Power Supply Cord |
| 20. | KM 300 | Infinite Switch w/Pal Nut (240/220V)
OR
KM 301 Infinite Switch w/Pal Nut (208) |
| 21. | KC 189 | 10' Connecting Wire, 16 Gauge |
| 22. | KC 167 | 6' Connecting Wire, 16 Gauge |
| 23. | KC 171 | 10,6,6 Wire Combo, 16 Gauge |
| 24. | KC 177 | 6' Connecting Wire, 12 Gauge |
| 25. | KC 178 | 16' Connecting Wire, 12 Gauge |
| 26. | KC 163 | EA Pilot Light |
| 27. | KC 139 | 9' Connecting Wire, 12 Gauge |
| 28. | KC 361 | 3 Position Switch |
| 29. | KC 173 | 6, 4 Wire Combo, 16 Gauge |



ELECTRICAL SCHEMATIC



208/240 VAC
60 HZ

KD0036

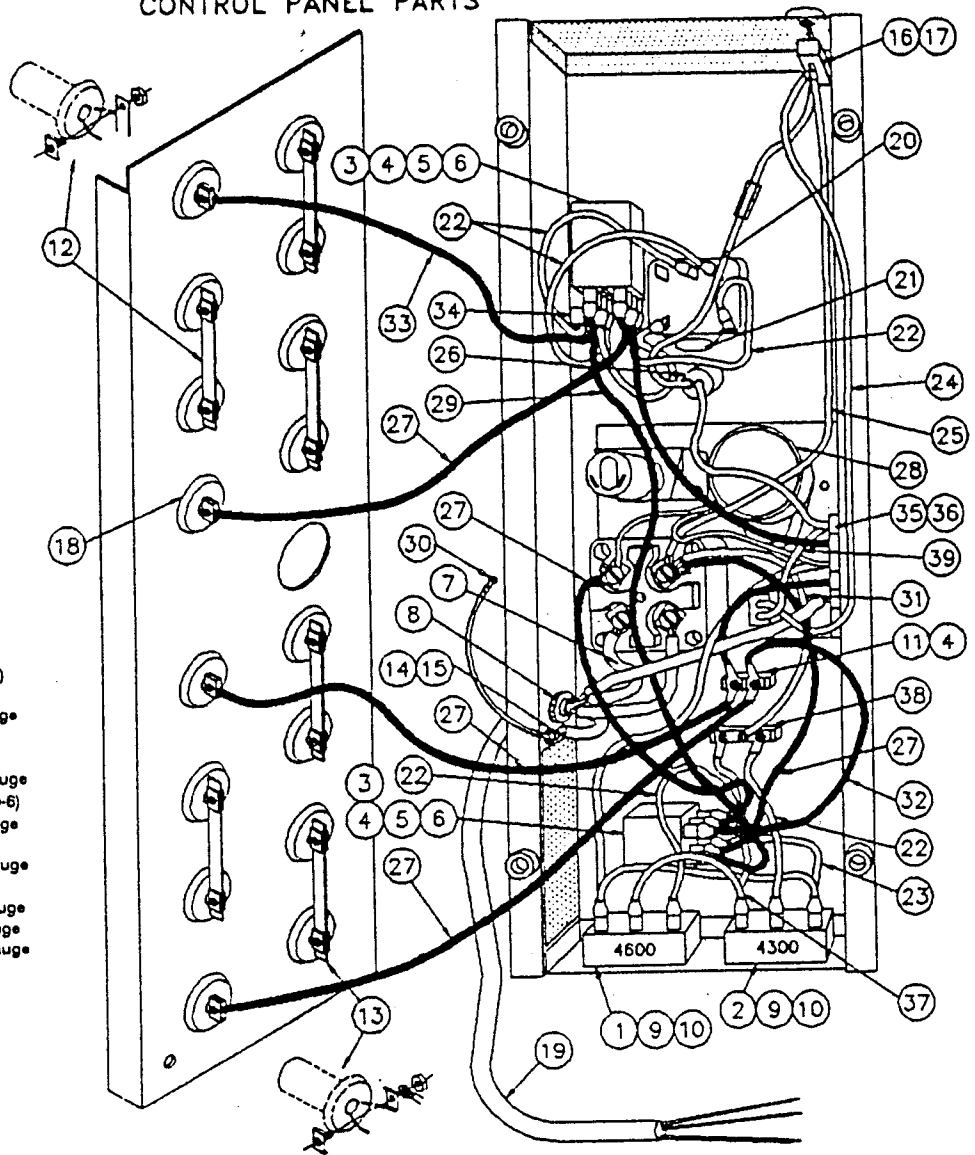
LX874

DUNCAN EXPORT MODEL DA 1020-6G

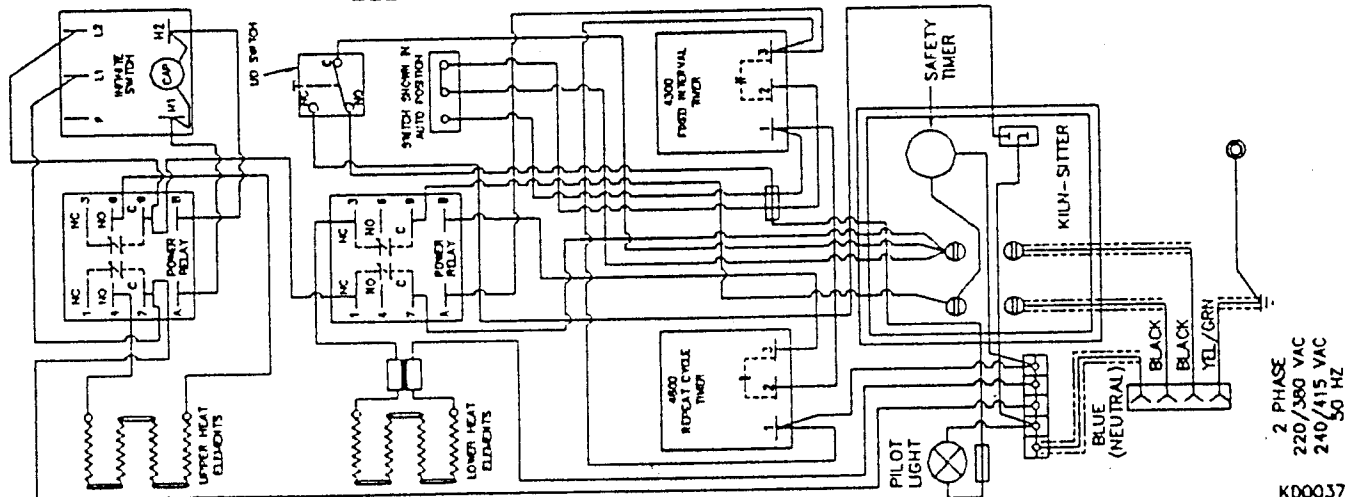
CONTROL PANEL PARTS

REF. PART

NO.	PART NO.	DESCRIPTION
1.	KM 326	4600 Repeat Cycle Timer (240/220V)
2.	KM 325	4300 Fixed Interval Timer (240/220V)
3.	KM 324	Power Relay (240/220V)
4.	KE 314	#6-32 X 1/2" Machine Screw
5.	KE 322	#6 Star Washer
6.	KE 333	#6-32 Hex Nut
7.	KM 385	#1 x 5" Fiberglass Sleeving
8.	KM 342	820, 1020/29 Cord Strain Relief
9.	KE 307	#8-32 x 1-1/4" Machine Screw
10.	KE 329	#8-32 Hex Nut w/Washer
11.	KE 098	2 Pole Terminal Strip
12.	KC 309	Standard Buss Bar Assembly
13.	KC 319	U-Terminal Assembly
14.	KE 315	#10-32 x 1/2" Tamperproof Screw
15.	KE 334	#10-32 Hex Nut w/Washer
16.	KM 309	Lid Safety Switch
17.	KM 363	Lid Switch Mounting Kit
18.	KE 060	Insulator
19.	KM 323	820-7/8 1020 Power Supply Cord
20.	KM 300	Infinite Switch w/Pal Nut (240V/220V)
21.	KM 362	Capacitor Assembly #2
22.	KC 187	6' (15 cm) Connecting Wire, 18 Gauge
23.	KC 193	10,6,6 Wire Combo, 18 Gauge
24.	KC 144	14' Connecting wire, 18 Gauge
25.	KC 131	14' (36 cm) Connecting Wire, 18 Gauge
26.	KC 194	Pilot Light Assembly (EA 820-8/1020-6)
27.	KC 139	9' (23 cm) Connecting Wire, 12 Gauge
28.	KM 089	Timer Motor, 50 HZ
29.	KC 178	14' (25 cm) Connecting Wire, 12 Gauge
30.	KC 150	9' (23 cm) Ground Wire
31.	KC 189	10' (25 cm) Connecting wire, 16 Gauge
32.	KC 177	6' (15 cm) Connecting Wire, 12 Gauge
33.	KC 138	14' (36 cm) Connecting Wire, 12 Gauge
34.	KE 095	T-Terminal Adaptor
35.	KE 101	Terminal Block Assembly
36.	KE 061	Dielectric Insulation for KE 101
37.	KC 173	6,4 Wire Combo, 16 Gauge
38.	KM 361	3 Position Switch
39.	KC 372	4' Connecting Wire, 16 Gauge



ELECTRICAL SCHEMATIC



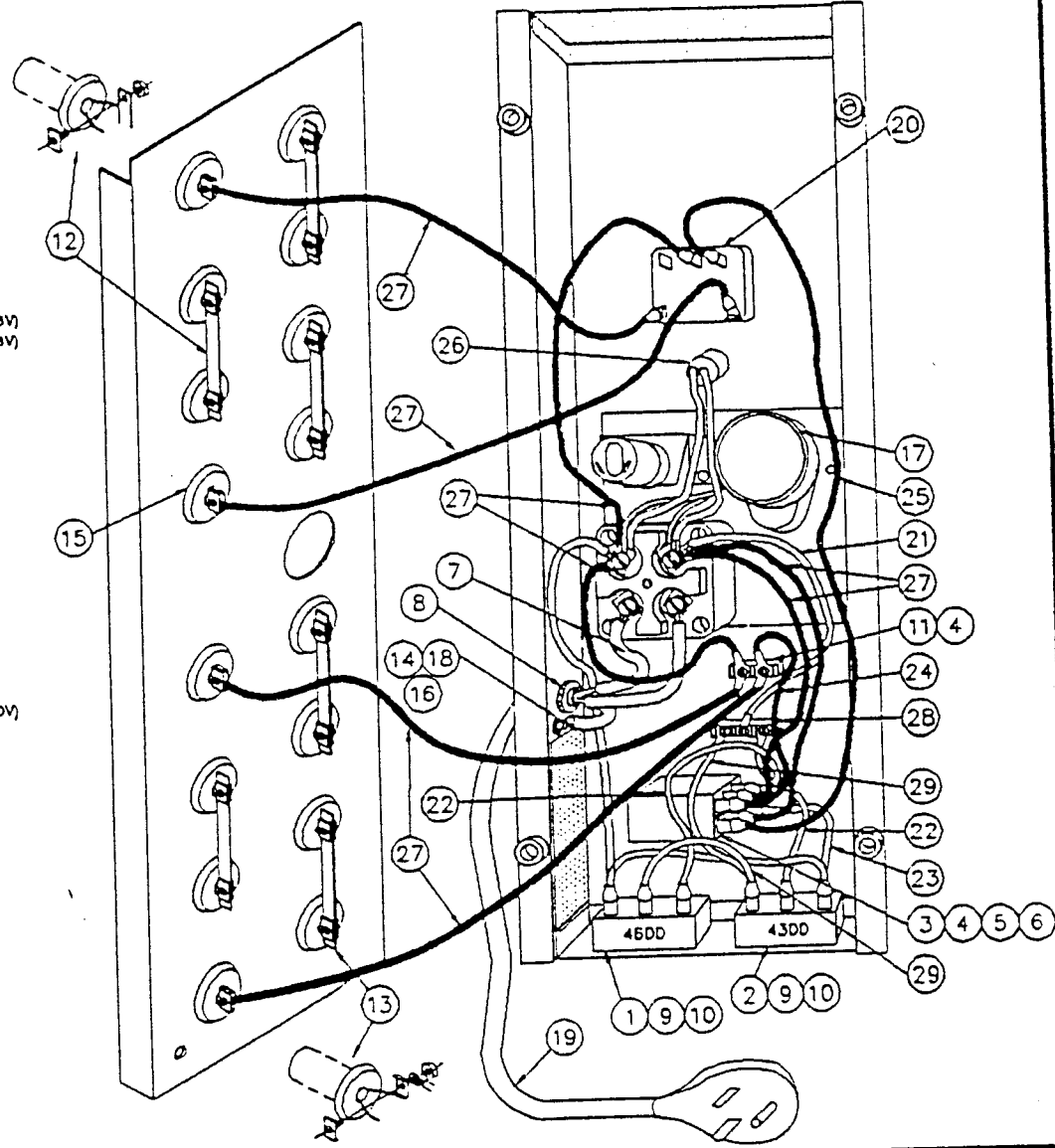
2 PHASE
220/380 VAC
240/415 VAC
50 HZ

KD0037

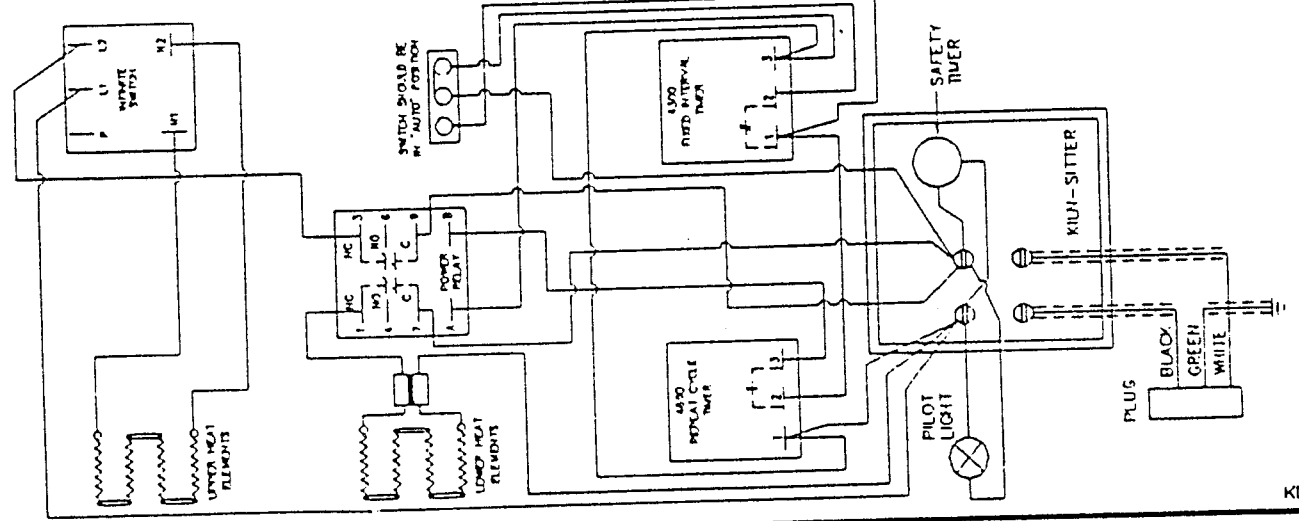
DUNCAN MODEL DA 1020-6L,-6Z

BODY PARTS

- | REF. NO. | PART NO. | DESCRIPTION |
|----------|----------|--------------------------------------|
| 1. | KM 326 | 4000 Repeat Cycle Timer (240/208V) |
| 2. | KM 325 | 4300 Fixed Interval Timer (240/208V) |
| 3. | KM 324 | Power Relay (240/208V) |
| 4. | KE 314 | #6-32 X 1/2" Machine Screw |
| 5. | KE 322 | #8 Star Washer |
| 6. | KE 333 | #8-32 Hex Nut |
| 7. | KM 343 | 4" Fiberglass Sleeve |
| 8. | KM 342 | 820, Cord Strain Relief |
| 9. | KE 307 | #8-32 x 1-1/4" Machine Screw |
| 10. | KE 329 | #8-32 hex Nut w/Washer |
| 11. | KE 090 | 2 Pole Terminal Strip |
| 12. | KC 309 | Standard Buss Bar Assembly |
| 13. | KC 318 | U-Terminal Assembly |
| 14. | KE 332 | #10-32 Hex Nut |
| 15. | KE 000 | Insulator |
| 16. | KE 321 | #10 Star Washer |
| 17. | KM 067 | Timer Motor (60 HZ) |
| 18. | KE 317 | #10-32 x 3/8" Machine Screw |
| 19. | KM 330 | 1020/29 Power Supply Cord |
| 20. | KM 300 | Infinite Switch w/Pal Nut (240/220V) |
| OR | | |
| 21. | KM 301 | Infinite Switch w/Pal Nut (208) |
| 22. | KC 189 | 10' Connecting Wire, 16 Gauge |
| 23. | KC 187 | 6' Connecting Wire, 16 Gauge |
| 24. | KC 171 | 10, 6, 6 Wire Combo, 16 Gauge |
| 25. | KC 177 | 6' Connecting Wire, 12 Gauge |
| 26. | KC 178 | 16' Connecting Wire, 12 Gauge |
| 27. | KC 163 | EA Pilot Light |
| 28. | KC 136 | 9' Connecting Wire, 12 Gauge |
| 29. | KC 361 | 3 Position Switch |
| 30. | KC 173 | 6, 4 Wire Combo, 16 Gauge |



ELECTRICAL SCHEMATIC



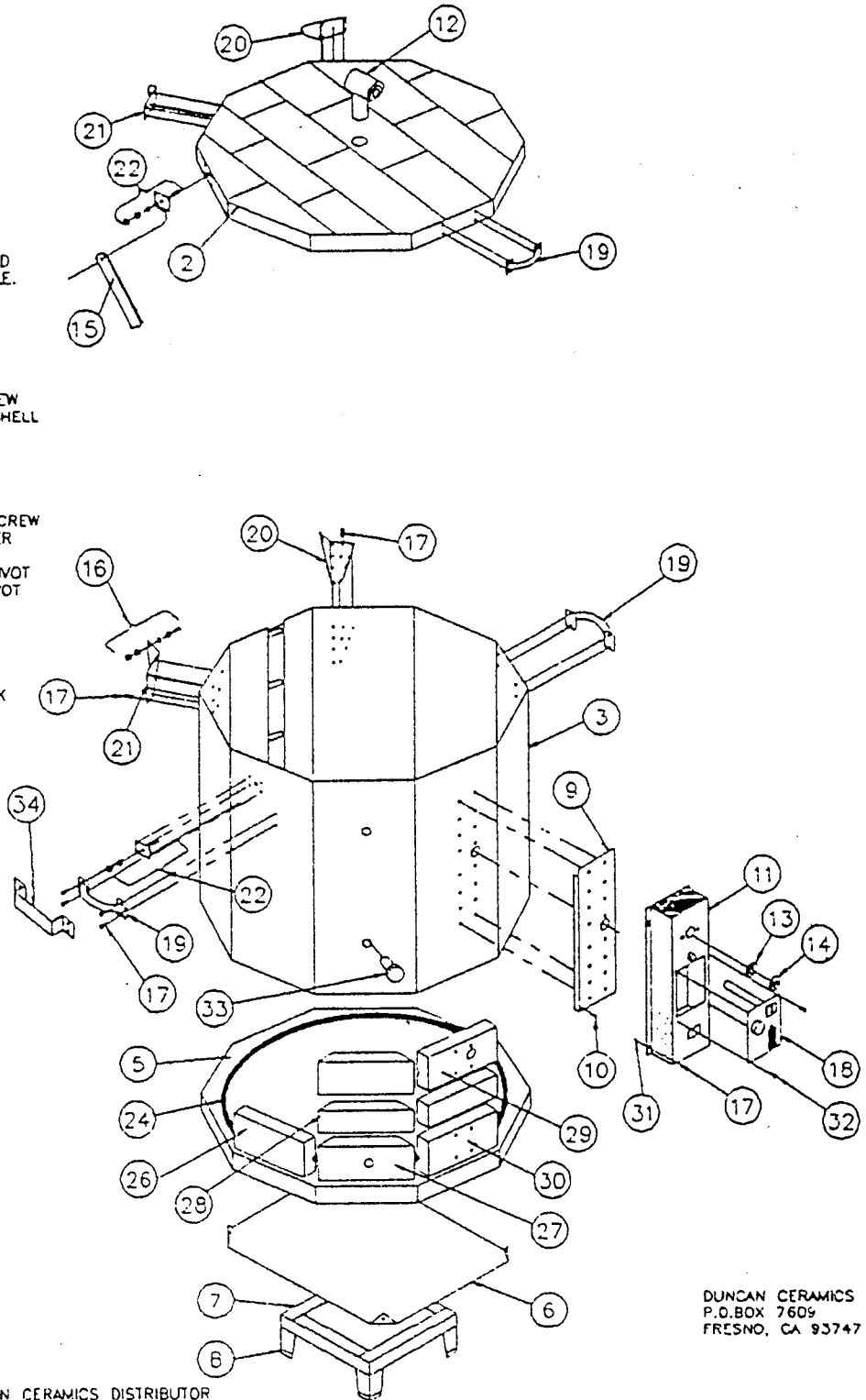
208/240 VAC
60 HZ

KD0071

DUNCAN MODEL DA 1020-6L,-6Z

BODY PARTS

REF NO.	PART NO.	DESCRIPTION
2.	KC 016	1020/29 BRICK LID (BANDED & COATED) WITH VENT HOLE.
3.	KC 081	1020/29 CASE W/CLAMPS
5.	KC 003	1020/29 BRICK BOTTOM
6.	KP 303	1020/29 BASE PLATE
7.	KC 070	1020/29 STAND W/FEET
8.	KE 030	STAND FEET
9.	KP 028	820,1020/29 HEAT SHIELD
10.	KE 302	#6 X 1" SHEET METAL SCREW
11.	KC 060	EA 1020 CONTROL PANEL SHELL
12.	KE 031	LID VENT PLUG
13.	KM 302	PAL NUT
14.	KM 319	EA SWITCH KNOB
15.	KC 112	1020/29 LID SUPPORT
16.	KC 222	HINGE PIVOT KIT
17.	KE 301	#8 X 1/2" SHEET METAL SCREW
18.	KM 209	KILN-SITTER W/SAFETY TIMER
19.	KE 009	HANDLE
20.	KC 203	1020/29 RIGHT HINGE W/PIVOT
21.	KC 213	1020/29 LEFT HINGE W/PIVOT
22.	KC 115	LID SUPPORT MOUNTING KIT
24.	KE 220	1020/29 ELEMENTS (220V)
26.	KB 003	1020/29 GROOVED BRICK
27.	KB 023	1020/29 PEEPHOLE BRICK
28.	KB 043	1020/29 HALF BRICK
29.	KD 053	1020/29 KILN-SITTER BRICK
30.	KB 013	1020/29 TERMINAL BRICK
31.	KE 341	1/8" STANDOFF
32.	KE 303	#6 X 1/2" SCREW
33.	KA 030	PEEPHOLE PLUG
34.	KC 117	LID SUPPORT GUARD



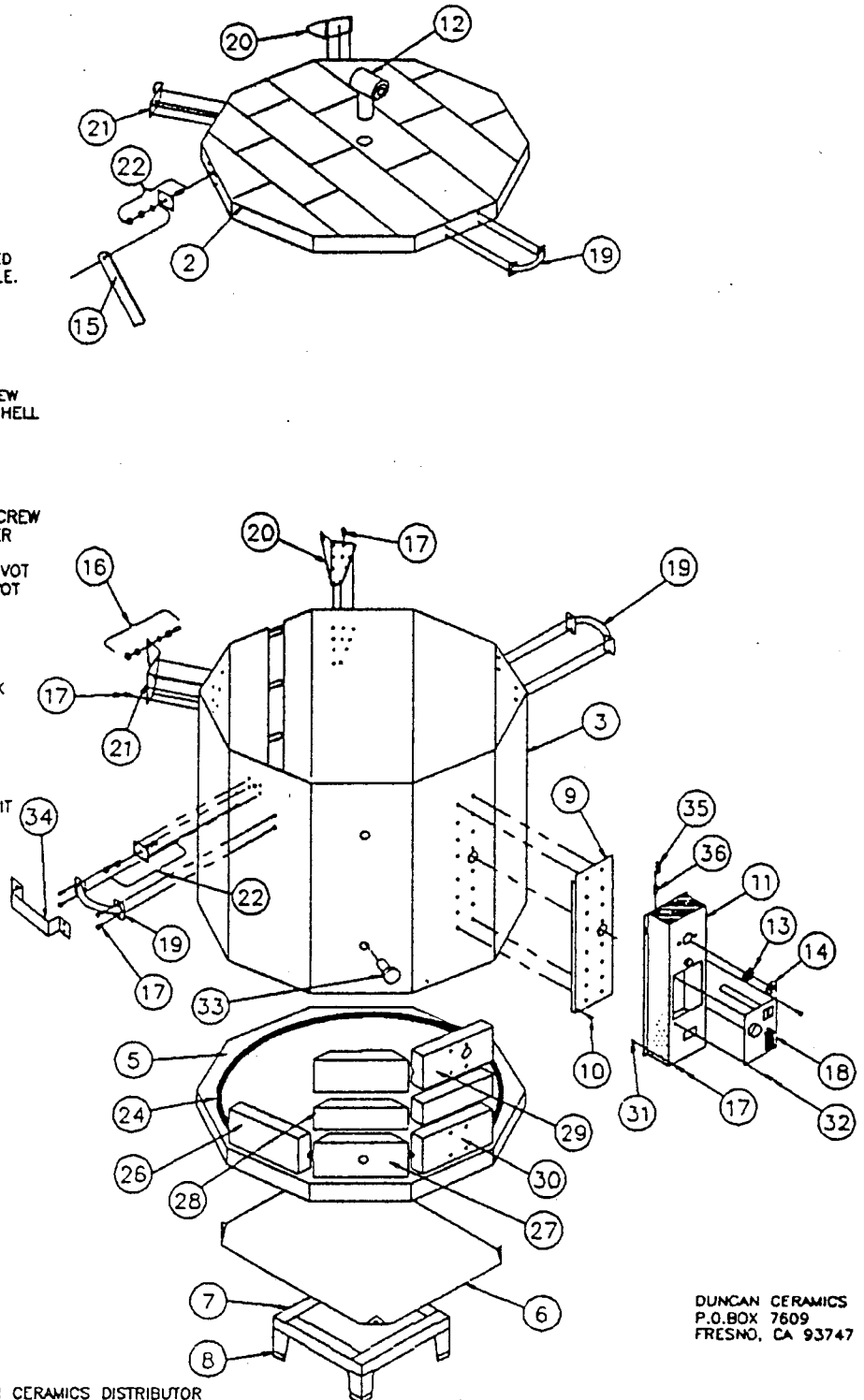
DUNCAN CERAMICS
 P.O. BOX 7609
 FRESNO, CA 93747

ORDER PARTS FROM YOUR AUTHORIZED DUNCAN CERAMICS DISTRIBUTOR

DUNCAN EXPORT MODEL DA 1020-6G

BODY PARTS

REF NO.	PART NO.	DESCRIPTION
2.	KC 016	1020/29 BRICK LID (BANDED & COATED) WITH VENT HOLE.
3.	KC 081	1020/29 CASE W/CLAMPS
5.	KC 003	1020/29 BRICK BOTTOM
6.	KP 303	1020/29 BASE PLATE
7.	KC 070	1020/29 STAND W/FEET
8.	KE 030	STAND FEET
9.	KP 028	820,1020/29 HEAT SHIELD
10.	KE 302	#8 X 1" SHEET METAL SCREW
11.	KC 080	EA 1020 CONTROL PANEL SHELL
12.	KE 031	LID VENT PLUG
13.	KM 302	PAL NUT
14.	KM 319	EA SWITCH KNOB
15.	KC 112	1020/29 LID SUPPORT
16.	KC 222	HINGE PIVOT KIT
17.	KE 301	#8 X 1/2" SHEET METAL SCREW
18.	KM 210	KILN-SITTER W/SAFETY TIMER
19.	KE 009	HANDLE
20.	KC 203	1020/29 RIGHT HINGE W/PIVOT
21.	KC 213	1020/29 LEFT HINGE W/PIVOT
22.	KC 115	LID SUPPORT MOUNTING KIT
24.	KE 223	1020/29 ELEMENT, 240V
26.	KB 003	1020/29 GROOVED BRICK
27.	KB 023	1020/29 PEEPHOLE BRICK
28.	KB 043	1020/29 HALF BRICK
29.	KB 053	1020/29 KILN-SITTER BRICK
30.	KB 013	1020/29 TERMINAL BRICK
31.	KE 341	1/8" STANDOFF
32.	KE 303	#6 X 1/2" SCREW
33.	KA 030	PEEPHOLE PLUG
34.	KC 117	LID SUPPORT GUARD
35.	KE 010	SWITCH BRACKET
36.	KE 111	TEFLON SWITCH ACTUATOR KIT

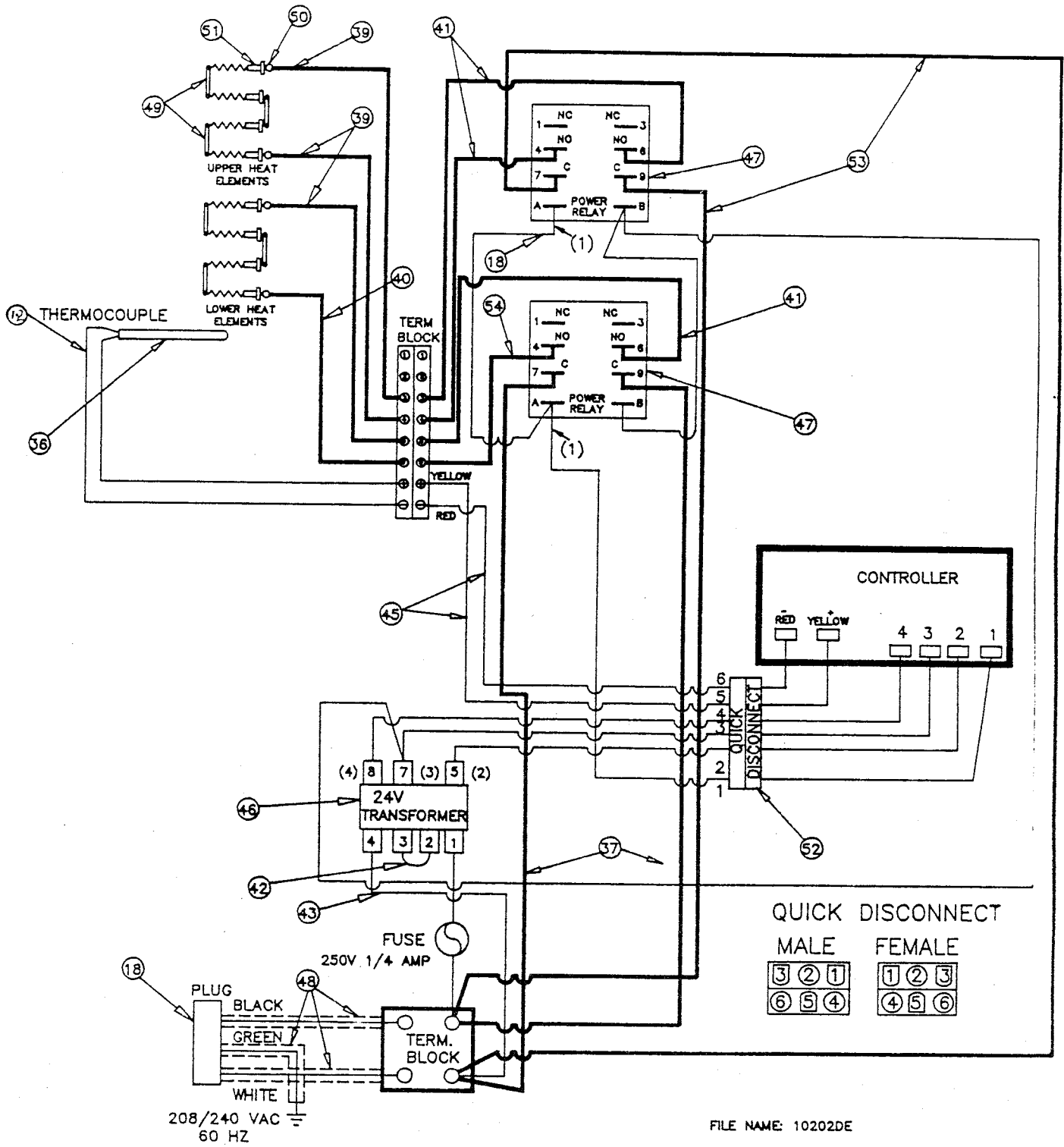


DUNCAN CERAMICS
P.O. BOX 7609
FRESNO, CA 93747

ORDER PARTS FROM YOUR AUTHORIZED DUNCAN CERAMICS DISTRIBUTOR

KDC063

DUNCAN
ELECTRICAL SCHEMATIC
DE 1020-2,-4 ELECTRONIC

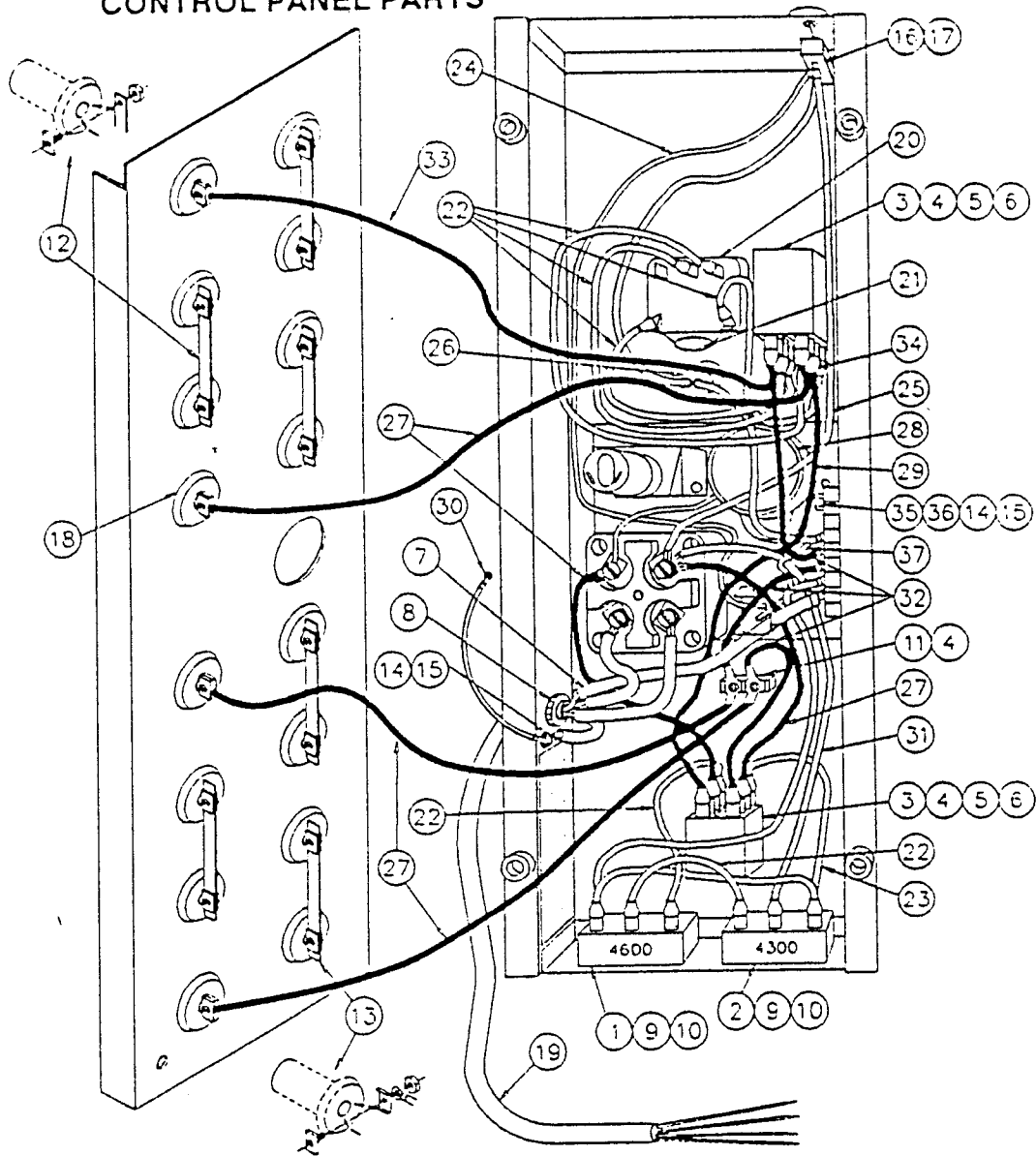


FILE NAME: 10202DE

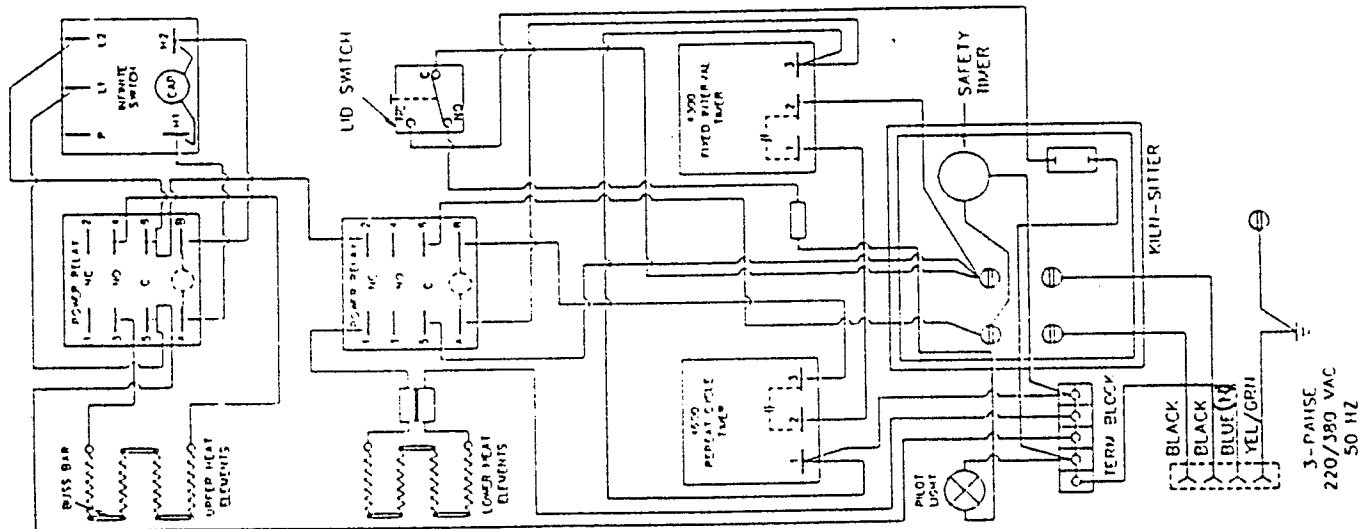
DUNCAN EXPORT MODEL EA 1020-6G

CONTROL PANEL PARTS

REF. NO.	PART NO.	DESCRIPTION
1.	KM 328	4600 Repeat Cycle Timer (240/220V)
2.	KM 325	4300 Fixed Interval Timer (240/220V)
3.	KM 324	Power Relay (240/220V)
4.	KE 314	#6-32 X 1/2" Machine Screw
5.	KE 322	#8 Star Washer
6.	KE 333	#6-32 Hex Nut
7.	KM 365	#1 x 5" Fiberglass Sleeve
8.	KM 342	820, 1020/29 Cord Strain Relief
9.	KE 307	#8-32 x 1-1/4" Machine Screw
10.	KE 329	#8-32 Hex Nut w/Washer
11.	KE 098	2 Pole Terminal Strip
12.	KC 306	Standard Buss Bar Assembly
13.	KC 319	U-Terminal Assembly
14.	KE 315	#10-32 x 1/2" Tamperproof Screw
15.	KE 334	#10-32 Hex Nut w/Washer
16.	KM 309	Lid Safety Switch
17.	KM 363	Lid Switch Mounting Kit
18.	KE 060	Insulator
19.	KM 323	820-7/8 1020 Power Supply Cord
20.	KM 300	Infinite Switch w/Pal Nut (240V/220V)
21.	KM 362	Capacitor Assembly #2
22.	KC 167	6" (15 cm) Connecting Wire, 16 Gauge
23.	KC 193	10,6,8 Wire Combo, 16 Gauge
24.	KC 144	14" Connecting wire, 16 Gauge
25.	KC 131	14" (36 cm) Connecting Wire, 16 Gauge
26.	KC 194	Pilot Light Assembly (EA 820-8/1020-8)
27.	KC 136	9" (23 cm) Connecting Wire, 12 Gauge
28.	KM 089	Timer Motor, 50 HZ
29.	KC 178	14" (25 cm) Connecting Wire, 12 Gauge
30.	KC 150	9" (23 cm) Ground Wire
31.	KC 169	10" (25 cm) Connecting wire, 16 Gauge
32.	KC 177	6" (15 cm) Connecting Wire, 12 Gauge
33.	KC 136	14" (36 cm) Connecting Wire, 12 Gauge
34.	KE 095	T-Terminal Adapter
35.	KE 101	Terminal Block Assembly
36.	KE 061	Dielectric Insulation for KE 101
37.	KC 173	6,4 Wire Combo, 16 Gauge
38.	KM 361	3 Position Switch
39.	KC 372	4" Connecting Wire, 16 Gauge



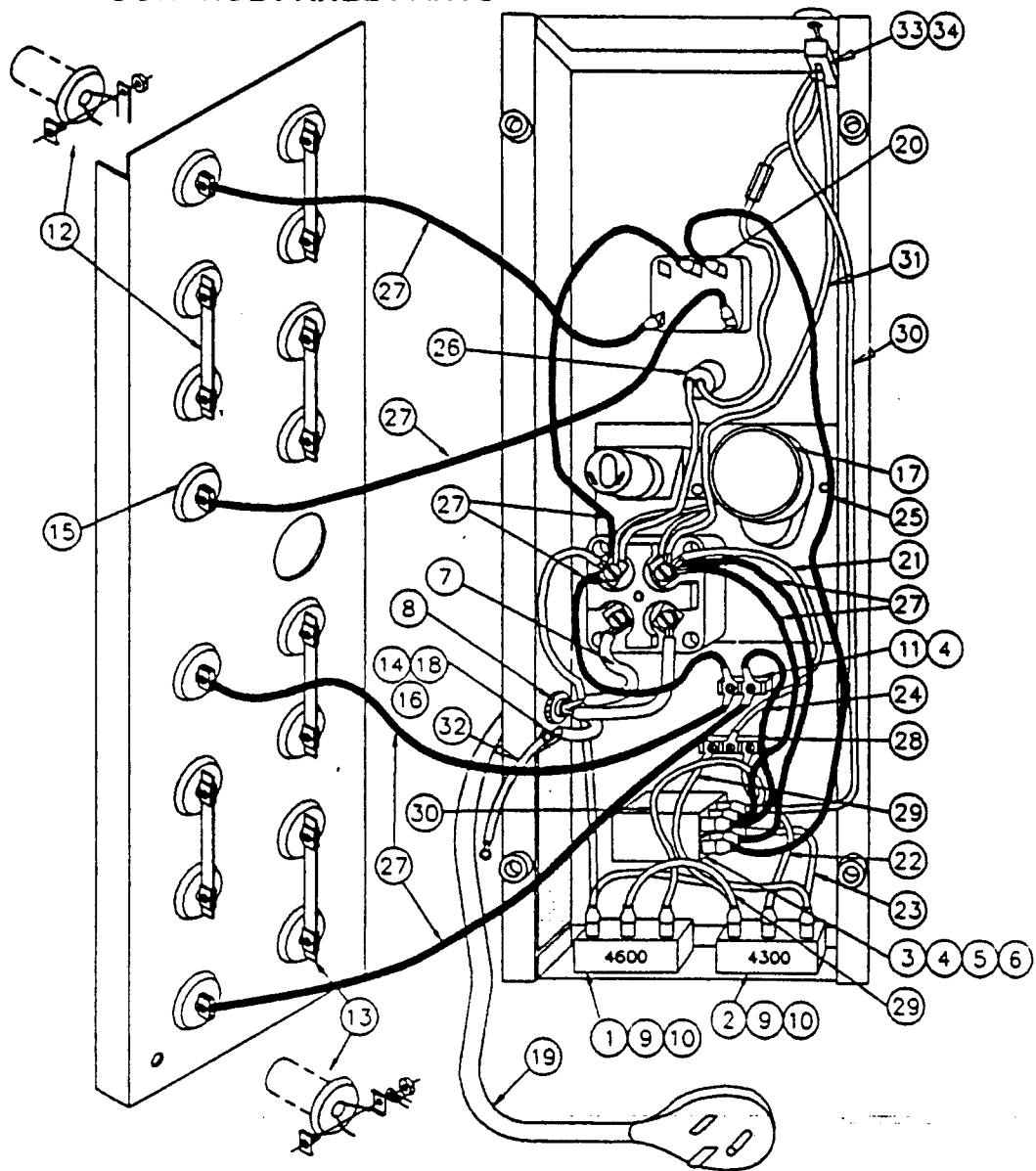
ELECTRICAL SCHEMATIC



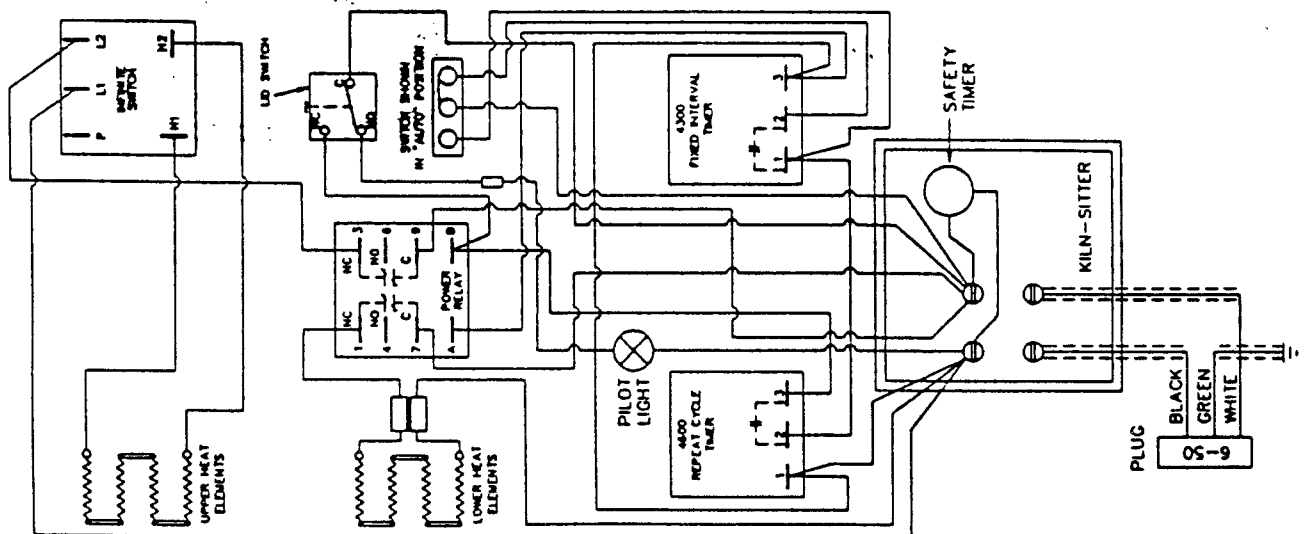
DUNCAN MODEL EA 1020-6J

CONTROL PANEL PARTS

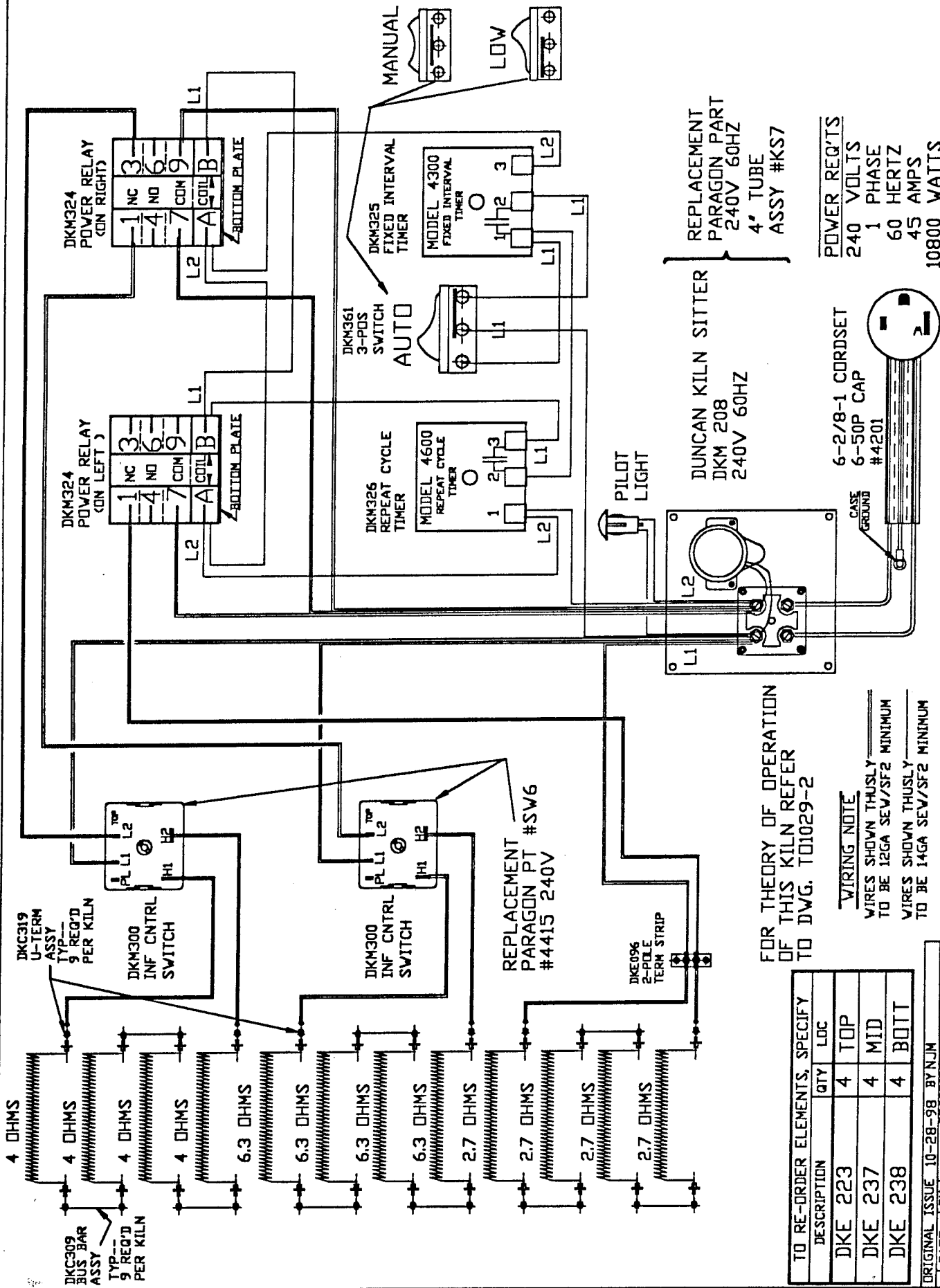
- | REF. NO. | PART NO. | DESCRIPTION |
|----------|----------|--------------------------------------|
| 1. | KM 326 | 4800 Repeat Cycle Timer (240/208V) |
| 2. | KM 325 | 4300 Fixed Interval Timer (240/208V) |
| 3. | KM 324 | Power Relay (240/208V) |
| 4. | KE 314 | #6-32 X 1 1/2" Machine Screw |
| 5. | KE 322 | #6 Star Washer |
| 6. | KE 333 | #6-32 Hex Nut |
| 7. | KM 363 | 4' Fiberglass Sleeving |
| 8. | KM 342 | 820, Cord Strain Relief |
| 9. | KE 307 | #6-32 x 1-1/4" Machine Screw |
| 10. | KE 329 | #6-32 Hex Nut w/Washer |
| 11. | KE 098 | 2 Pole Terminal Strip |
| 12. | KC 309 | Standard Bus Bar Assembly |
| 13. | KC 319 | U-Terminal Assembly |
| 14. | KE 332 | #10-32 Hex Nut |
| 15. | KE 080 | Insulator |
| 16. | KE 321 | #10 Star Washer |
| 17. | KM 067 | Timer Motor (60 HZ) |
| 18. | KE 317 | #10-32 x 3/8" Machine Screw |
| 19. | KM 333 | 1020/28 Power Supply Cord |
| 20. | KM 301 | Infinite Switch w/Pal Nut (208) |
| 21. | KC 189 | 10' Connecting Wire, 18 Gauge |
| 22. | KC 187 | 6' Connecting Wire, 18 Gauge |
| 23. | KC 171 | 10,6,8 Wire Combo, 18 Gauge |
| 24. | KC 177 | 6' Connecting Wire, 12 Gauge |
| 25. | KC 178 | 18' Connecting Wire, 12 Gauge |
| 26. | KC 390 | Pilot Light Assembly |
| 27. | KC 139 | 8' Connecting Wire, 12 Gauge |
| 28. | KC 361 | 3 Position Switch |
| 29. | KC 173 | 8, 4 Wire Combo, 18 Gauge |
| 30. | KC 180 | 18, 8 Wire Combo, 18 Gauge |
| 31. | KC 131 | 14' Connecting Wire, 18 Gauge |
| 32. | KC 150 | 9' Ground Wire |
| 33. | KM 308 | Lid Safety Switch |
| 34. | KM 363 | Lid Switch Mounting Kit |



ELECTRICAL SCHEMATIC



200 VAC
50 HZ
1 PHASE



REPLACEMENT
PARAGON PART
240V 60HZ
4" TUBE
ASSY #KS7

POWER REQ'TS
240 VOLTS
1 PHASE
60 HERTZ
45 AMPS
10800 WATTS

FOR THEORY OF OPERATION
OF THIS KILN REFER
TO DWG. T01029-2

WIRING NOTE
WIRES SHOWN THUSLY
TO BE 12GA SEW/SF2 MINIMUM
WIRES SHOWN THUSLY
TO BE 14GA SEW/SF2 MINIMUM

TO RE-ORDER ELEMENTS, SPECIFY		
DESCRIPTION	QTY	LOC
DKE 223	4	TOP
DKE 237	4	MID
DKE 238	4	BOTT

ORIGINAL ISSUE 10-28-98 BY NJM	
DATE	DESCRIPTION

SERVED BY
PARAGON INDUSTRIES, INC
2011 SOUTH TOWN EAST BLVD
MESQUITE, TEXAS 75149-1122

WIRING DIAGRAM
DUNCAN KILN "THE PRO"
240V 1 PH 60HZ 10800W

PART NO DA1029-2
REV FILE
By Norm Montesino

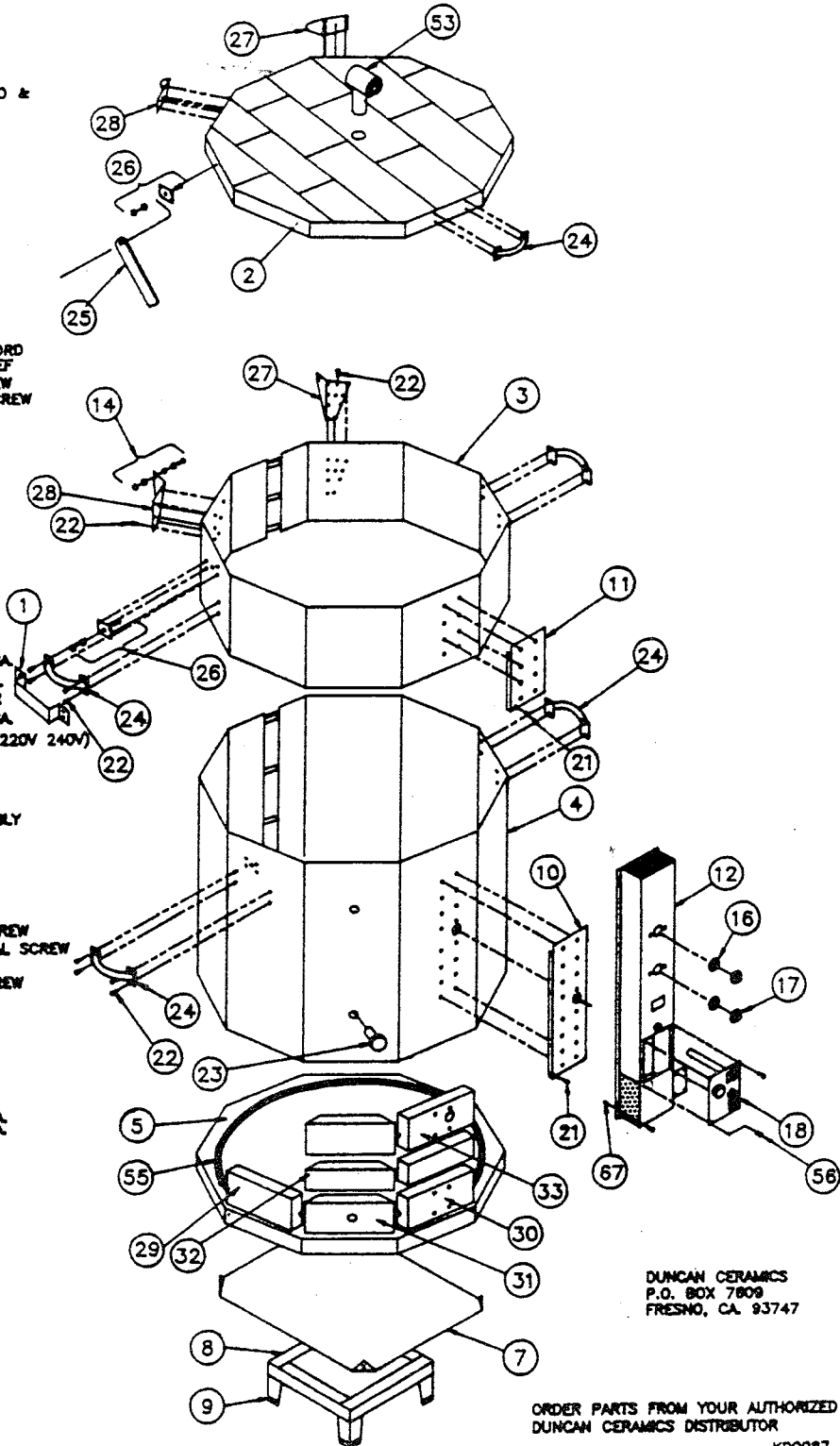
DUNCAN MODELS DA 1029-4

BODY PARTS

REF. PART NO.

DESCRIPTION

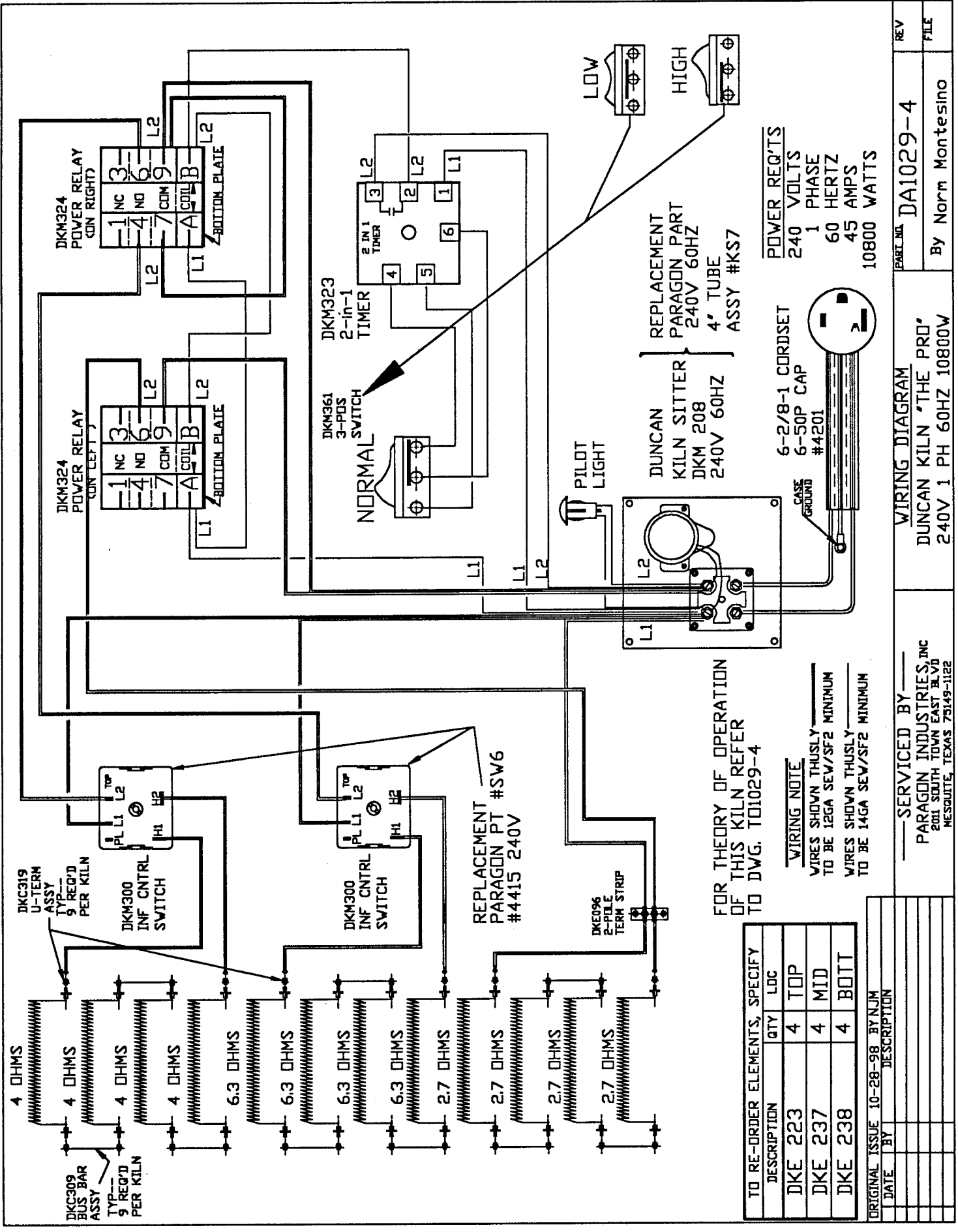
1. KC 117 LID SUPPORT GUARD
2. KC 016 1020/29 BRICK LID (BANDED & COATED) WITH VENT HOLE
3. KC 049 COLLAR CASE W/CLAMPS
4. KC 048 CASE W/CLAMPS
5. KC 003 1020/29 BRICK BOTTOM
6. KP 303 BASE PLATE
7. KC 070 STAND W/FEET
8. KE 030 STAND FEET
9. KP 028 HEAT SHIELD
10. KP 024 COLLAR HEAT SHIELD
11. KC 035 CONTROL PANEL SHELL
12. KA 183 PILOT LIGHT
13. KC 222 HINGE PIVOT KIT
14. KM 302 PAL NUT
15. KM 319 EA SWITCH KNOB
16. KM 400 ASD
17. KM 333 1020/29 POWER SUPPLY CORD
18. KE 343 1020/29 CORD STRAIN RELIEF
19. KE 302 #8 X 1" SHEET METAL SCREW
20. KE 301 #8 X 1/2" SHEET METAL SCREW
21. KA 030 PEEPHOLE PLUG
22. KE 009 HANDLE
23. KC 112 1020/29 LID SUPPORT
24. KC 115 LID SUPPORT MOUNTING KIT
25. KC 203 RIGHT HINGE W/PIVOT
26. KC 213 LEFT HINGE W/PIVOT
27. KB 003 GROOVED BRICK
28. KB 013 TERMINAL BRICK
29. KB 023 PEEPHOLE BRICK
30. KB 043 HALF BRICK
31. KB 053 KILN SITTER BRICK
32. KC 096 2 POLE TERMINAL STRIP
33. KM 324 POWER RELAY
34. KM 323 2 IN 1 TIMER
35. KC 138 #8-32 X 1 1/4" SCREW
36. KC 139 1/2" CONNECTING WIRE, 12 GA.
37. KC 329 #8-32 NUT W/LOCK WASHER
38. KC 189 10" CONNECTING WIRE, 18 GA.
39. KM 300 INFINITE SWITCH W/PAL NUT(220V 240V)
40. KC 418 18,4 WIRE COMBO 18 GA.
41. KC 173 6,4 WIRE COMBO 18 GA.
42. KC 177 6" CONNECTING WIRE
43. KM 383 4" FIBERGLASS SLEEVING
44. KC 309 STANDARD BUSS BAR ASSEMBLY
45. KC 319 U-TERMINAL ASSEMBLY
46. KE 080 INSULATOR
47. KC 361 3 POSITION SWITCH
48. KA 031 LID VENT PLUG
49. KM 382 CAPACITOR ASSEMBLY #2
50. KE 233 ELEMENTS (208V)
51. KE 303 #8 X 1/2" SHEET METAL SCREW
52. KE 311 #10-32 X 1/2" SHEET METAL SCREW
53. KC 179 16" WIRE 12 GA.
54. KC 314 #6-32 X 1/2" MACHINE SCREW
55. KE 321 #10 STAR WASHER
56. KE 322 #8 STAR WASHER
57. KC 184 22,4 WIRE COMBO 18 GA.
58. KC 162 6" CONNECTING WIRE 12 GA.
59. KE 332 #10 HEX NUT
60. KE 333 #8 HEX NUT
61. KC 341 1/8" STAND OFF
62. KC 180 20" CONNECTING WIRE 12 GA.
63. KC 419 15" CONNECTING WIRE 18 GA.



DUNCAN CERAMICS
P.O. BOX 7809
FRESNO, CA. 93747

ORDER PARTS FROM YOUR AUTHORIZED
DUNCAN CERAMICS DISTRIBUTOR

KD0087



FOR THEORY OF OPERATION
OF THIS KILN REFER
TO DWG. T01029-4

WIRING NOTE

- WIRES SHOWN THUSLY
TO BE 12GA SEV/SF2 MINIMUM
- WIRES SHOWN THUSLY
TO BE 14GA SEV/SF2 MINIMUM

TO RE-ORDER ELEMENTS, SPECIFY DESCRIPTION	QTY	LOC
DKE 223	4	TOP
DKE 237	4	MID
DKE 238	4	BOTT

ORIGINAL ISSUE	10-28-98	BY NJM
DATE		

POWER REQ'TS
240 VOLTS
1 PHASE
60 HERTZ
45 AMPS
10800 WATTS

REPLACEMENT
PARAGON PART
240V 60HZ
4" TUBE
ASSY #KS7

WIRING DIAGRAM
DUNCAN KILN "THE PRO"
240V 1 PH 60HZ 10800W

SERVICED BY
PARAGON INDUSTRIES, INC
2001 SOUTH TOWN EAST BLVD
MESQUITE, TEXAS 75149-1122

REV
FILE
PART NO DA1029-4
By Norm Montesino

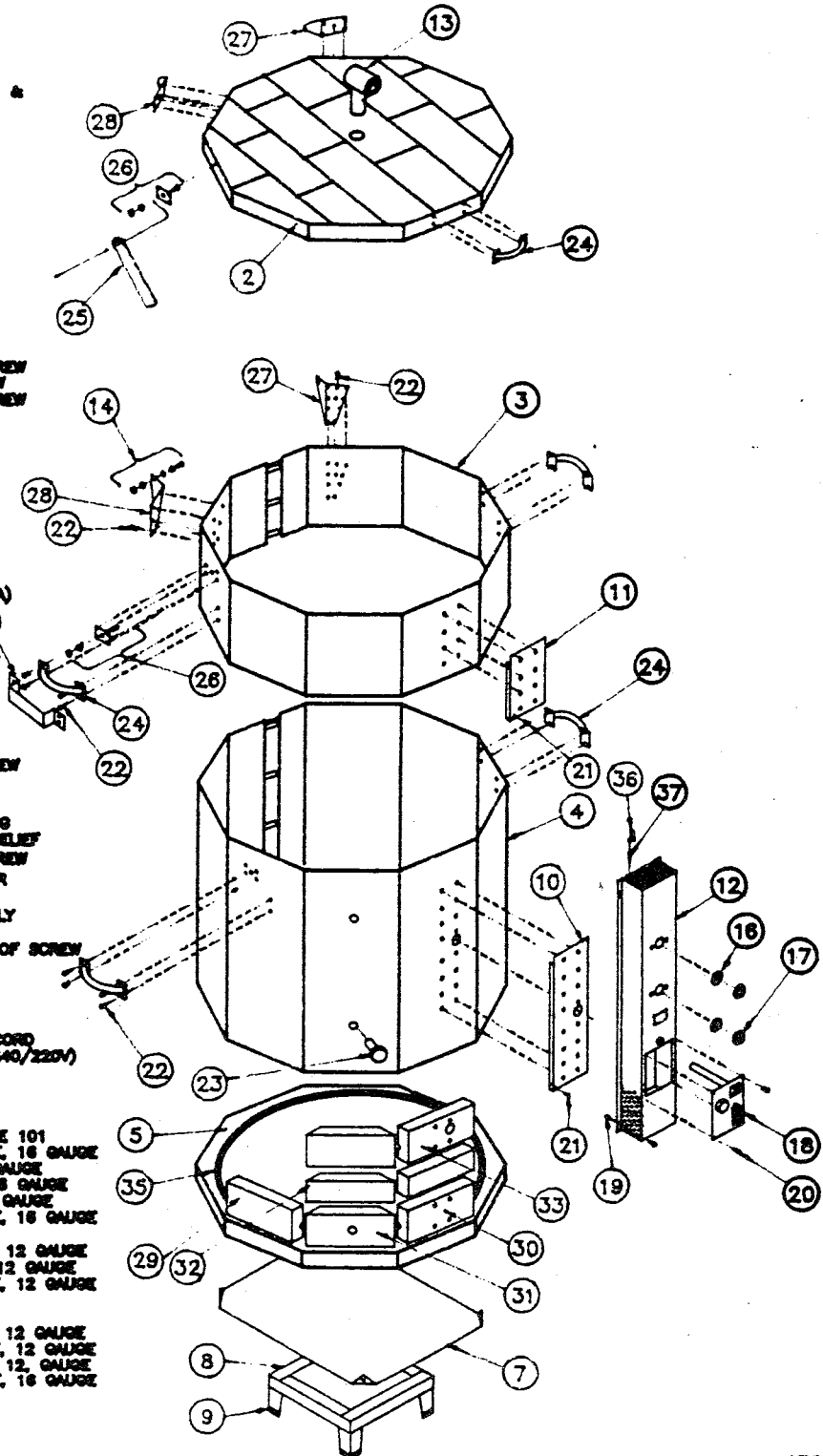
DUNCAN MODELS DA 1029-6A,-6E,

BODY PARTS

REF. PART
NO. NO.

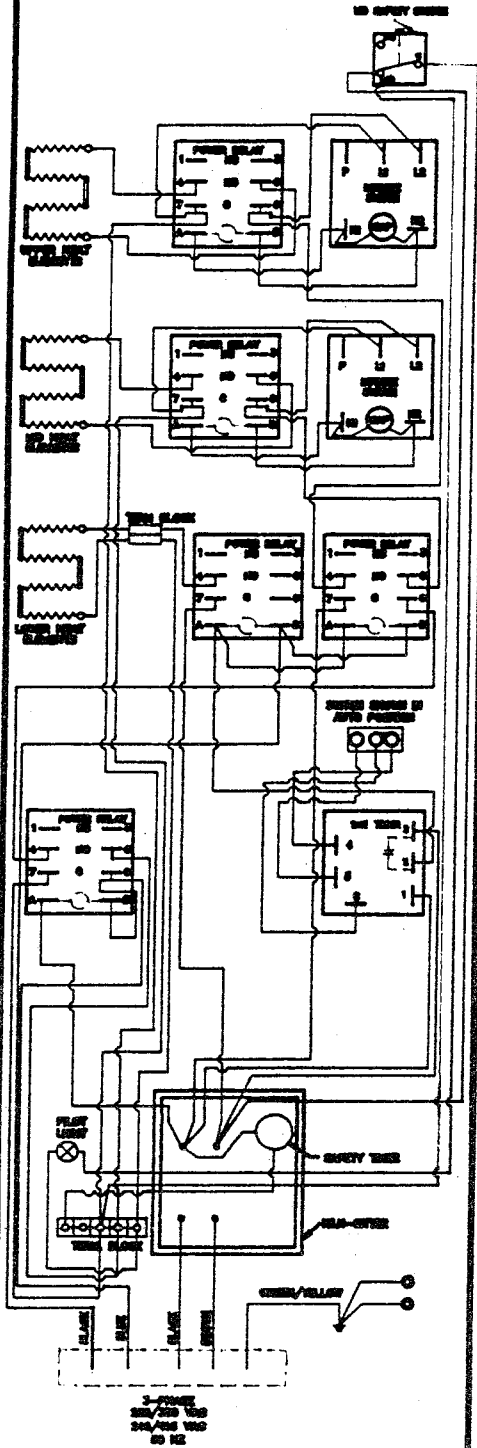
DESCRIPTION

1.	KC 117	LID SUPPORT GUARD
2.	KC 018	1020/29 BRICK LID (BANDIED & COATED) WITH VENT HOLE
3.	KC 048	COLLAR CASE W/CLAMPS
4.	KC 048	CASE W/CLAMPS
5.	KC 003	1020/29 BRICK BOTTOM
7.	KP 303	BASE PLATE
8.	KC 070	STAND W/FEET
9.	KE 030	STAND FEET
10.	KP 028	HEAT SHIELD
11.	KP 024	COLLAR HEAT SHIELD
12.	KC 036	CONTROLL PANEL SHELL
13.	KA 031	LID VENT PLUG
14.	KC 222	HINGE PIVOT KIT
16.	KM 302	PAL NUT
17.	KM 318	EA SWITCH KNOB
18.	KM 208	KLN-SITTER W/SAFETY TMR
19.	KE 341	1/8" STANDOFF
20.	KE 303	#8 X 1/2" SHEET METAL SCREW
21.	KE 302	#8 X 1" SHEET METAL SCREW
22.	KE 301	#8 X 1/2" SHEET METAL SCREW
23.	KA 030	PREP-HOLE PLUG
24.	KE 008	HANDLE
25.	KC 112	1020/29 LID SUPPORT
26.	KC 115	LID SUPPORT MOUNTING KIT
27.	KC 203	RIGHT HINGE W/PIVOT
28.	KC 213	LEFT HINGE W/PIVOT
29.	KB 003	GROOVED BRICK
30.	KB 013	TERMINAL BRICK
31.	KB 023	PREP-HOLE BRICK
32.	KB 043	HALF BRICK
33.	KB 083	KLN SITTER BRICK
35.	KE 225	1020/29 ELEMENT 240V (-6A)
36.	KE 220	1020/29 ELEMENT 220V
37.	KE 010	SWITCH BRACKET
38.	KE 111	TEFLON SWITCH ACTUATOR KIT
39.	KM 323	2 IN 1 TIMER (240/220V)
40.	KM 324	POWER RELAY (240/220V)
41.	KE 314	#8-32 X 1/2" MACHINE SCREW
42.	KE 322	#6 STAR WASHER
43.	KE 333	#6 HEX NUT
44.	KM 385	#1 X 5" FIBERGLASS SLEEVING
45.	KM 342	520,1020/29 CORD STRAIN RELIEF
46.	KE 307	#8-32 X 1 1/4" MACHINE SCREW
47.	KE 329	#8-32 HEX NUT WITH WASHER
48.	KE 086	2 POLE TERMINAL STRIP
49.	KC 308	STANDARD BUSS BAR ASSEMBLY
50.	KC 318	U-TERMINAL ASSEMBLY
51.	KE 318	#10-32 X 1/2" TAMPER PROOF SCREW
52.	KE 334	#10-32 HEX NUT W/WASHER
53.	KM 308	LID SAFETY SWITCH
54.	KM 343	LID SWITCH MOUNTING KIT
55.	KE 080	INSULATOR
56.	KM 320	EA 1029-6 POWER SUPPLY CORD
57.	KM 300	INFINITE SWITCH W/PAL NUT(240/220V)
58.	KM 302	CAPACITOR ASSEMBLY #2
59.	KM 070	TIMER MOTOR 50 HZ
60.	KE 086	T-TERMINAL ADAPTOR
61.	KE 101	TERMINAL BLOCK ASSEMBLY
62.	KE 081	DIELECTRIC INSULATION FOR KE 101
63.	KC 188	10" (25CM) CONNECTING WIRE, 16 GAUGE
64.	KC 418	18,4 CONNECTING WIRE, 16 GAUGE
65.	KC 368	14,6,4,8 CONNECTING WIRE, 16 GAUGE
66.	KC 367	28,4,8 CONNECTING WIRE, 16 GAUGE
67.	KC 140	22" (56CM) CONNECTING WIRE, 16 GAUGE
68.	KC 184	PILOT LIGHT ASSEMBLY
69.	KC 138	8" (23CM) CONNECTING WIRE, 12 GAUGE
70.	KC 177	6" (15CM) CONNECTING WIRE, 12 GAUGE
71.	KC 180	12" (30CM) CONNECTING WIRE, 12 GAUGE
72.	KC 180	8" (23CM) GROUND WIRE
73.	KC 183	25" (64CM) GROUND WIRE
74.	KC 139	14" (36CM) CONNECTING WIRE, 12 GAUGE
75.	KC 179	16" (41CM) CONNECTING WIRE, 12 GAUGE
76.	KC 182	8" (23CM) CONNECTING WIRE, 12 GAUGE
77.	KC 419	15" (38CM) CONNECTING WIRE, 16 GAUGE
78.	KM 361	3 POSITION SWITCH

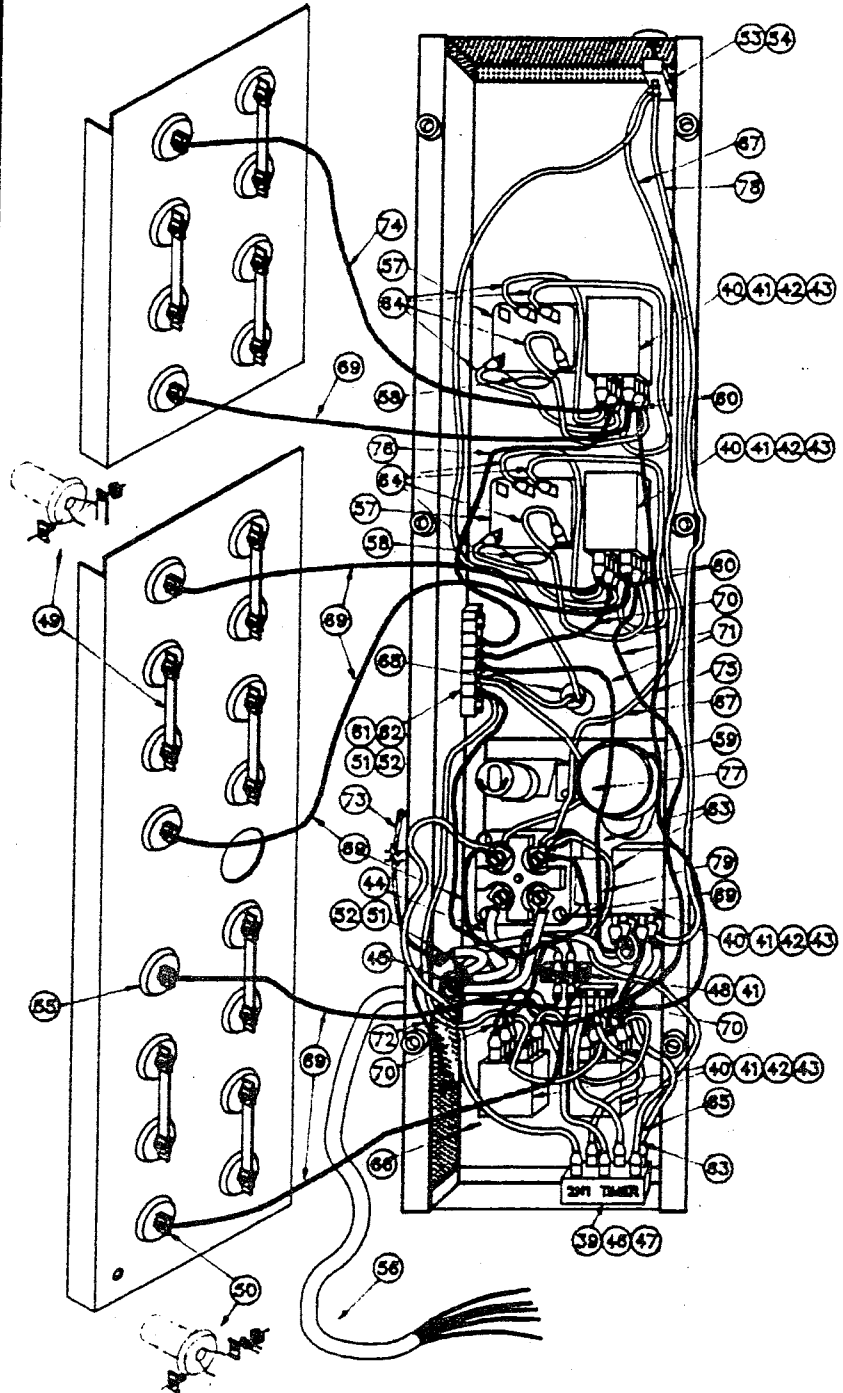


DUNCAN MODEL DA 1029-6A, 6E

ELECTRICAL SCHEMATIC



CONTROL PANEL PARTS



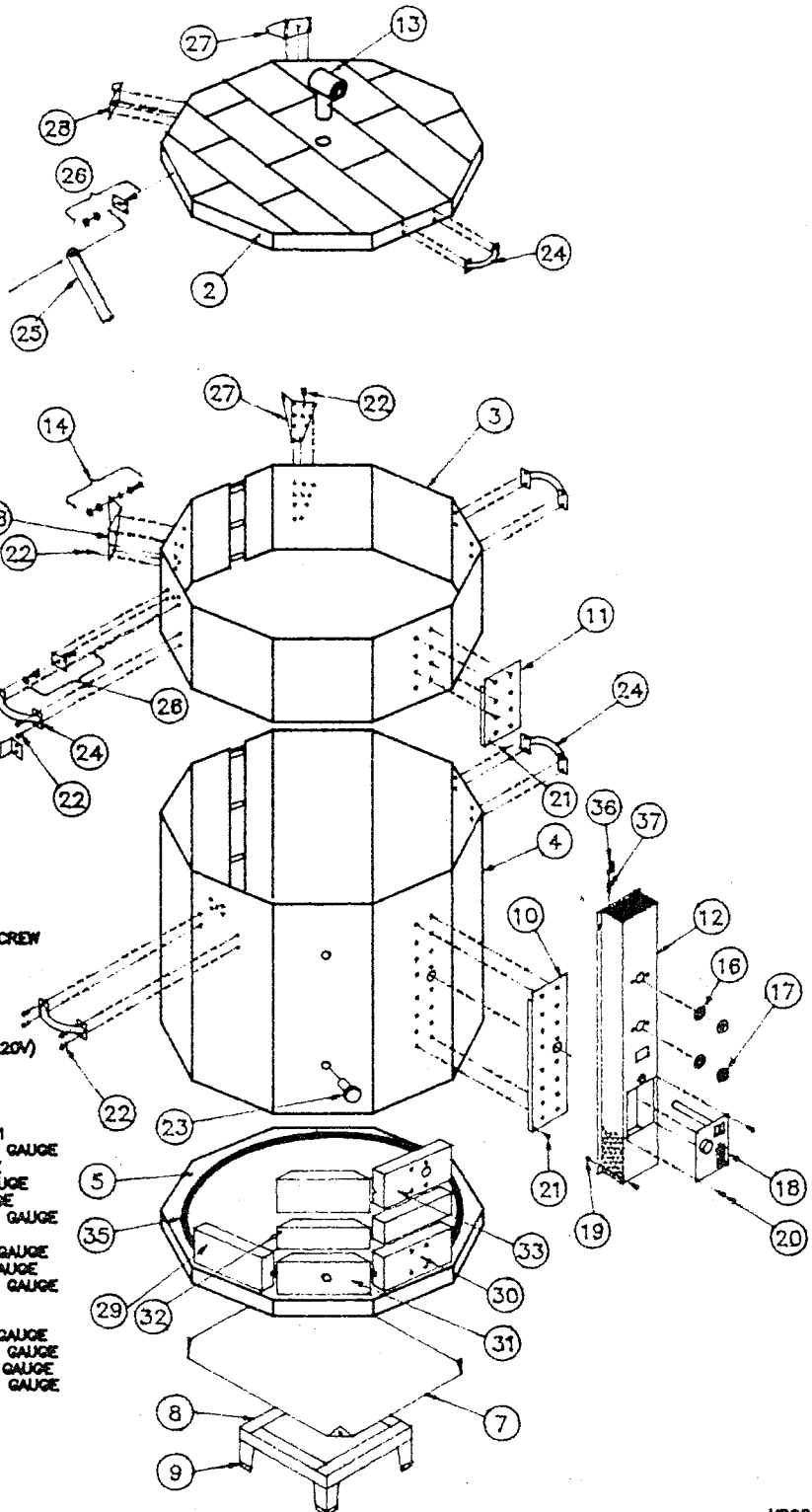
DUNCAN MODELS DA 1029-6G

BODY PARTS

REF. PART
NO. NO.

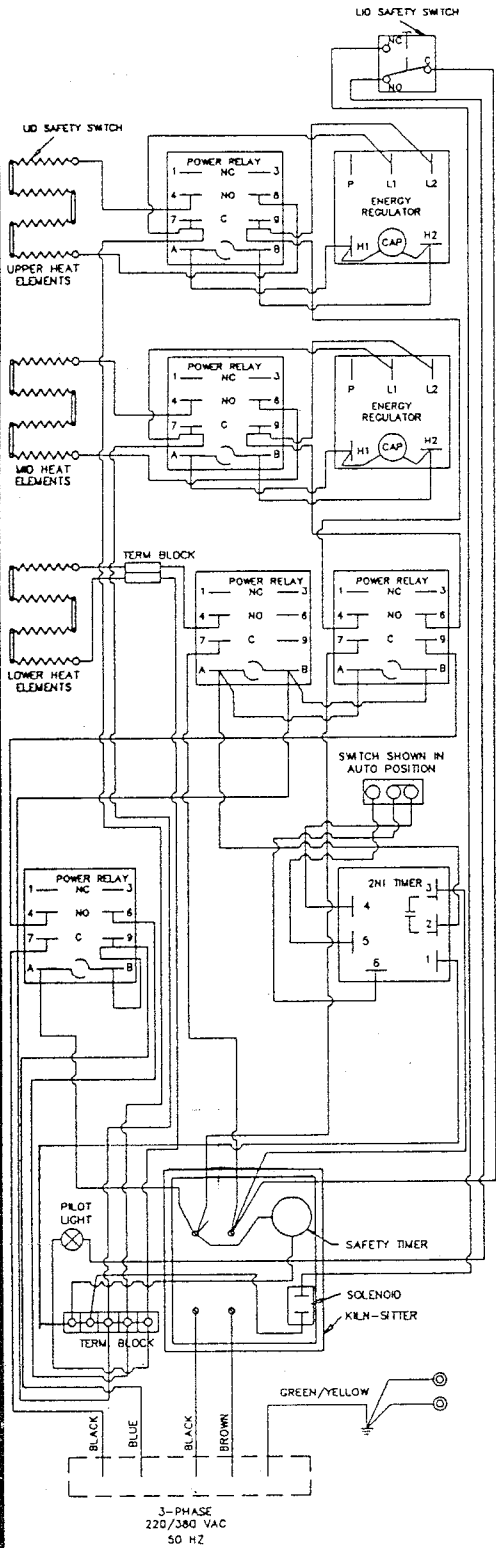
DESCRIPTION

- | | | |
|-----|--------|---|
| 1. | KC 117 | LID SUPPORT GUARD |
| 2. | KC 016 | 1020/29 BRICK LID (BANDIED & COATED) WITH VENT HOLE |
| 3. | KC 048 | COLLAR CASE W/CLAMPS |
| 4. | KC 048 | CASE W/CLAMPS |
| 5. | KC 003 | 1020/29 BRICK BOTTOM |
| 7. | KP 303 | BASE PLATE |
| 8. | KC 070 | STAND W/FEET |
| 9. | KE 030 | STAND FEET |
| 10. | KP 028 | HEAT SHIELD |
| 11. | KP 024 | COLLAR HEAT SHIELD |
| 12. | KC 036 | CONTRROLL PANEL SHELL |
| 13. | KA 031 | LID VENT PLUG |
| 14. | KC 222 | HINGE PIVOT KIT |
| 16. | KM 302 | PAL NUT |
| 17. | KM 319 | EA SWITCH KNOB |
| 18. | KM 209 | KILN-SITTER W/SAFETY TIMER |
| 19. | KE 341 | 1/8" STANDOFF |
| 20. | KE 303 | #6 X 1/2" SHEET METAL SCREW |
| 21. | KE 302 | #8 X 1" SHEET METAL SCREW |
| 22. | KE 301 | #8 X 1/2" SHEET METAL SCREW |
| 23. | KA 030 | PEEPHOLE PLUG |
| 24. | KE 008 | HANDLE |
| 25. | KC 112 | 1020/29 LID SUPPORT |
| 26. | KC 115 | LID SUPPORT MOUNTING KIT |
| 27. | KC 203 | RIGHT HINGE W/PIVOT |
| 28. | KC 213 | LEFT HINGE W/PIVOT |
| 29. | KB 003 | GROOVED BRICK |
| 30. | KB 015 | TERMINAL BRICK |
| 31. | KB 023 | PEEPHOLE BRICK |
| 32. | KB 043 | HALF BRICK |
| 33. | KB 063 | KILN SITTER BRICK |
| 34. | KE 223 | 1020/29 ELEMENT 240V (-8A) |
| OR | | |
| 36. | KE 220 | 1020/29 ELEMENT 220V |
| 37. | KE 010 | SWITCH BRACKET |
| 38. | KE 348 | TEFLON SWITCH ACTUATOR |
| 39. | KM 323 | 2N1 TIMER |
| 40. | KM 324 | POWER RELAY (240/220V) |
| 41. | KE 314 | #6-32 X 1/2" MACHINE SCREW |
| 42. | KE 322 | #6 STAR WASHER |
| 43. | KE 333 | #6 HEX NUT |
| 44. | KM 385 | #1 X 5" FIBERGLASS SLEEVING |
| 45. | KM 342 | 820,1020/29 CORD STRAIN RELIEF |
| 46. | KE 307 | #8-32 X 1/4" MACHINE SCREW |
| 47. | KE 329 | #8-32 HEX NUT WITH WASHER |
| 48. | KE 096 | 2 POLE TERMINAL STRIP |
| 49. | KC 308 | STANDARD BUSS BAR ASSEMBLY |
| 50. | KC 319 | U-TERMINAL ASSEMBLY |
| 51. | KE 315 | #10-32 X 1/2" TAMPER PROOF SCREW |
| 52. | KE 334 | #10-32 HEX NUT W/WASHER |
| 53. | KM 308 | LID SAFETY SWITCH |
| 54. | KM 363 | LID SWITCH MOUNTING KIT |
| 55. | KE 080 | INSULATOR |
| 56. | KM 320 | EA 1029-8 POWER SUPPLY CORD |
| 57. | KM 300 | INFINITE SWITCH W/PAL NUT(240/220V) |
| 58. | KM 362 | CAPACITOR ASSEMBLY #2 |
| 59. | KM 070 | TIMER MOTOR 50 HZ |
| 60. | KE 096 | T-TERMINAL ADAPTOR |
| 61. | KE 101 | TERMINAL BLOCK ASSEMBLY |
| 62. | KE 061 | DIELECTRIC INSULATION FOR KE 101 |
| 63. | KC 189 | 10" (25CM) CONNECTING WIRE, 18 GAUGE |
| 64. | KC 418 | 18,4 CONNECTING WIRE, 18 GAUGE |
| 65. | KC 396 | 14,8,4,8 CONNECTING WIRE, 18 GAUGE |
| 66. | KC 397 | 28,4,8 CONNECTING WIRE, 18 GAUGE |
| 67. | KC 140 | 22" (56CM) CONNECTING WIRE, 18 GAUGE |
| 68. | KC 194 | PILOT LIGHT ASSEMBLY |
| 69. | KC 139 | 9" (23CM) CONNECTING WIRE, 12 GAUGE |
| 70. | KC 177 | 6" (15CM) CONNECTING WIRE, 12 GAUGE |
| 71. | KC 180 | 12" (30CM) CONNECTING WIRE, 12 GAUGE |
| 72. | KC 150 | 9" (23CM) GROUND WIRE |
| 73. | KC 153 | 25" (64CM) GROUND WIRE |
| 74. | KC 138 | 14" (36CM) CONNECTING WIRE, 12 GAUGE |
| 75. | KC 179 | 16" (41CM) CONNECTING WIRE, 12 GAUGE |
| 76. | KC 192 | 9" (23CM) CONNECTING WIRE, 12 GAUGE |
| 77. | KC 419 | 15" (38CM) CONNECTING WIRE, 18 GAUGE |
| 78. | KM 361 | 3 POSITION SWITCH |

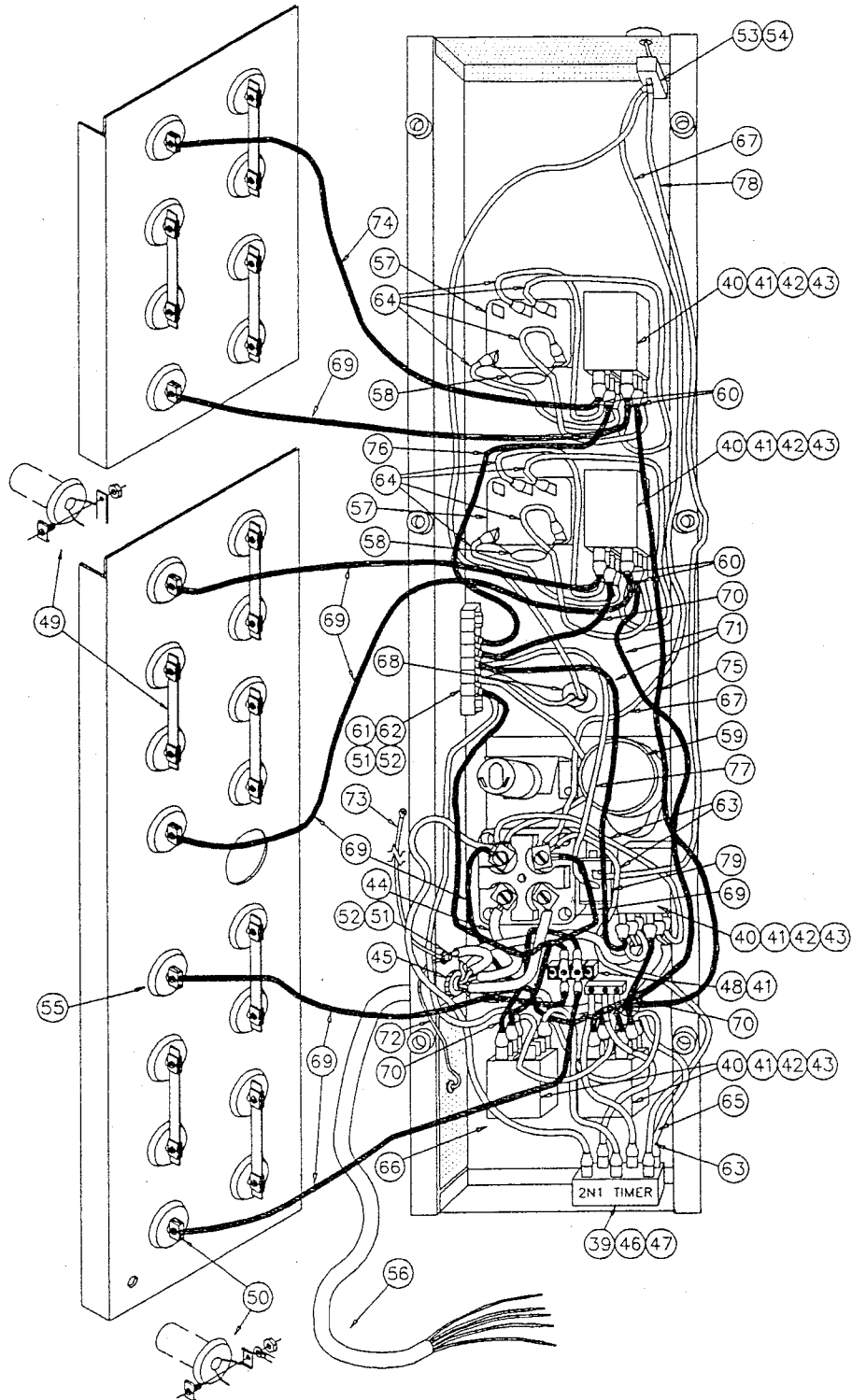


DUNCAN MODEL DA 1029-6G

ELECTRICAL SCHEMATIC



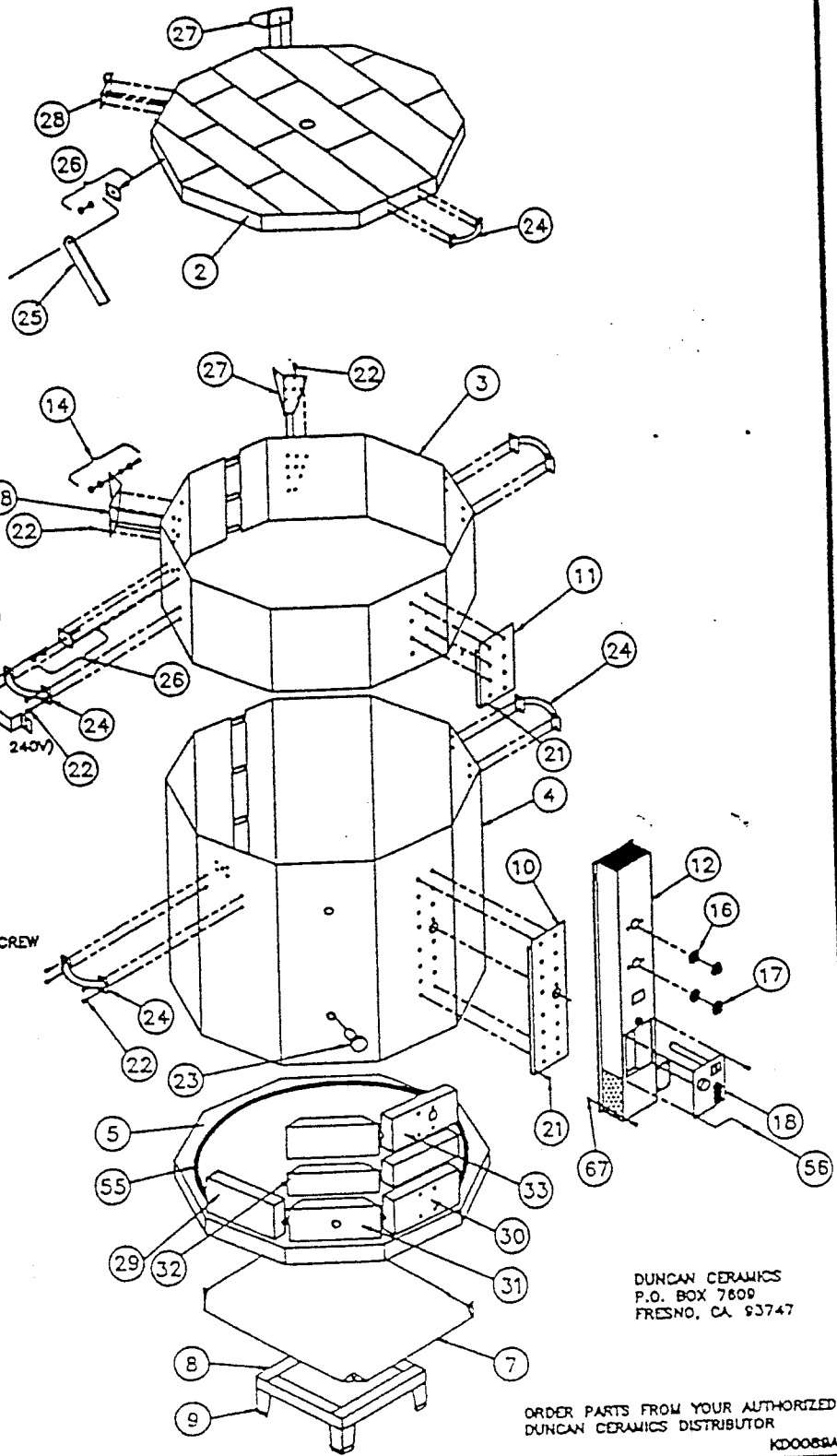
CONTROL PANEL PARTS



DUNCAN MODEL DA 1029-6L

BODY PARTS

REF. NO.	PART NO.	DESCRIPTION
1.	KC 117	LID SUPPORT GUARD
2.	KC 018	1020/29 BRICK LID (BANDED & COATED) WITH VENT HOLE
3.	KC 049	COLLAR CASE W/CLAMPS
4.	KC 048	CASE W/CLAMPS
5.	KC 003	1020/29 BRICK BOTTOM
6.	KP 303	BASE PLATE
7.	KC 070	STAND W/FEET
8.	KE 030	STAND FEET
9.	KP 028	HEAT SHIELD
10.	KP 024	COLLAR HEAT SHIELD
11.	KC 035	CONTROLL PANEL SHELL
12.	KA 163	PILOT LIGHT
13.	KC 222	HINGE PIVOT KIT
14.	KM 302	PAL NUT
15.	KM 319	EA SWITCH KNOB
16.	KM 402	ASO
17.	KM 333	1020/29 POWER SUPPLY CORD
18.	KE 343	1020/29 CORD STRAIN RELIEF
19.	KE 302	#8 X 1" SHEET METAL SCREW
20.	KE 301	#8 X 1/2" SHEET METAL SCREW
21.	KA 030	PEEPHOLE PLUG
22.	KE 008	HANDLE
23.	KC 112	1020/29 LID SUPPORT
24.	KC 115	LID SUPPORT MOUNTING KIT
25.	KC 203	RIGHT HINGE W/PIVOT
26.	KC 213	LEFT HINGE W/PIVOT
27.	KB 003	GROOVED BRICK
28.	KB 013	TERMINAL BRICK
29.	KB 023	PEEPHOLE BRICK
30.	KB 043	HALF BRICK
31.	KB 053	KILN SITTER BRICK
32.	KE 098	2 POLE TERMINAL STRIP
33.	KM 324	POWER RELAY
34.	KM 323	2 IN 1 TIMER
35.	KE 307	#8-32 X 1 1/4" SCREW
36.	KC 138	14" CONNECTING WIRE, 12 GA.
37.	KC 139	5" CONNECTING WIRE, 12 GA.
38.	KE 329	#8-32 NUT W/LOCK WASHER
39.	KC 189	10" CONNECTING WIRE, 18 GA.
40.	KM 300	INFINITE SWITCH W/PAL NUT(220V 240V)
41.	KC 418	18.4. WIRE COMBO 18 GA.
42.	KC 173	6.4 WIRE COMBO 18 GA.
43.	KC 177	6" CONNECTING WIRE
44.	KM 383	4" FIBERGLASS SLEEVING
45.	KC 309	STANDARD BUSS BAR ASSEMBLY
46.	KC 319	U-TERMINAL ASSEMBLY
47.	KE 080	INSULATOR
48.	KC 381	3 POSITION SWITCH
49.	KM 382	CAPACITOR ASSEMBLY #2
50.	KE 220	ELEMENTS (220V)
51.	KE 303	#6 X 1/2" SHEET METAL SCREW
52.	KE 311	#10-32 X 1/2" SHEET METAL SCREW
53.	KC 179	18" WIRE 12 GA.
54.	KE 314	#6-32 X 1/2" MACHINE SCREW
55.	KE 321	#10 STAR WASHER
56.	KE 322	#8 STAR WASHER
57.	KC 184	22.4 WIRE COMBO 18 GA.
58.	KC 182	5" CONNECTING WIRE 12 GA.
59.	KE 332	#10 HEX NUT
60.	KE 333	#6 HEX NUT
61.	KE 341	1/8" STAND OFF
62.	KC 180	20" CONNECTING WIRE 12 GA.
63.	KC 419	15" CONNECTING WIRE 18 GA.



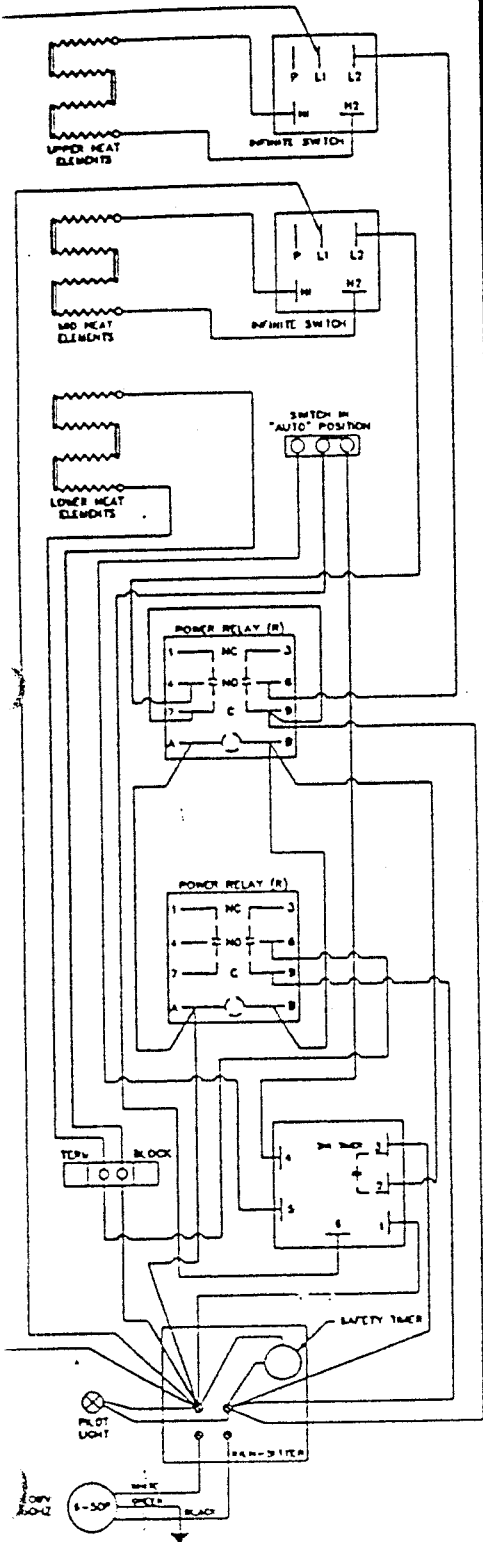
DUNCAN CERAMICS
P.O. BOX 7809
FRESNO, CA 93747

ORDER PARTS FROM YOUR AUTHORIZED
DUNCAN CERAMICS DISTRIBUTOR

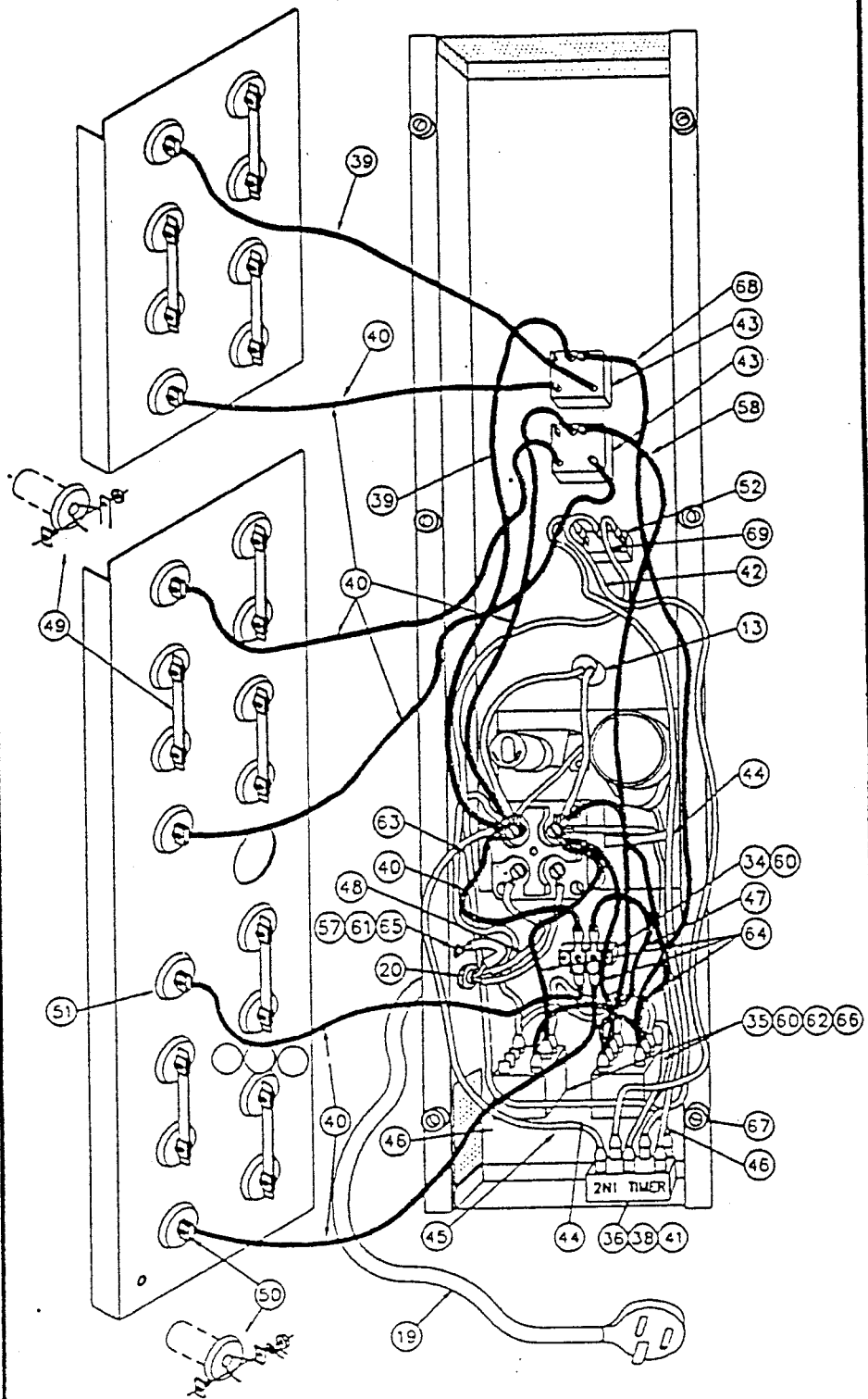
KD0089A

DUNCAN MODELS DA 1029-6L

ELECTRICAL SCHEMATIC



CONTROL PANEL PARTS



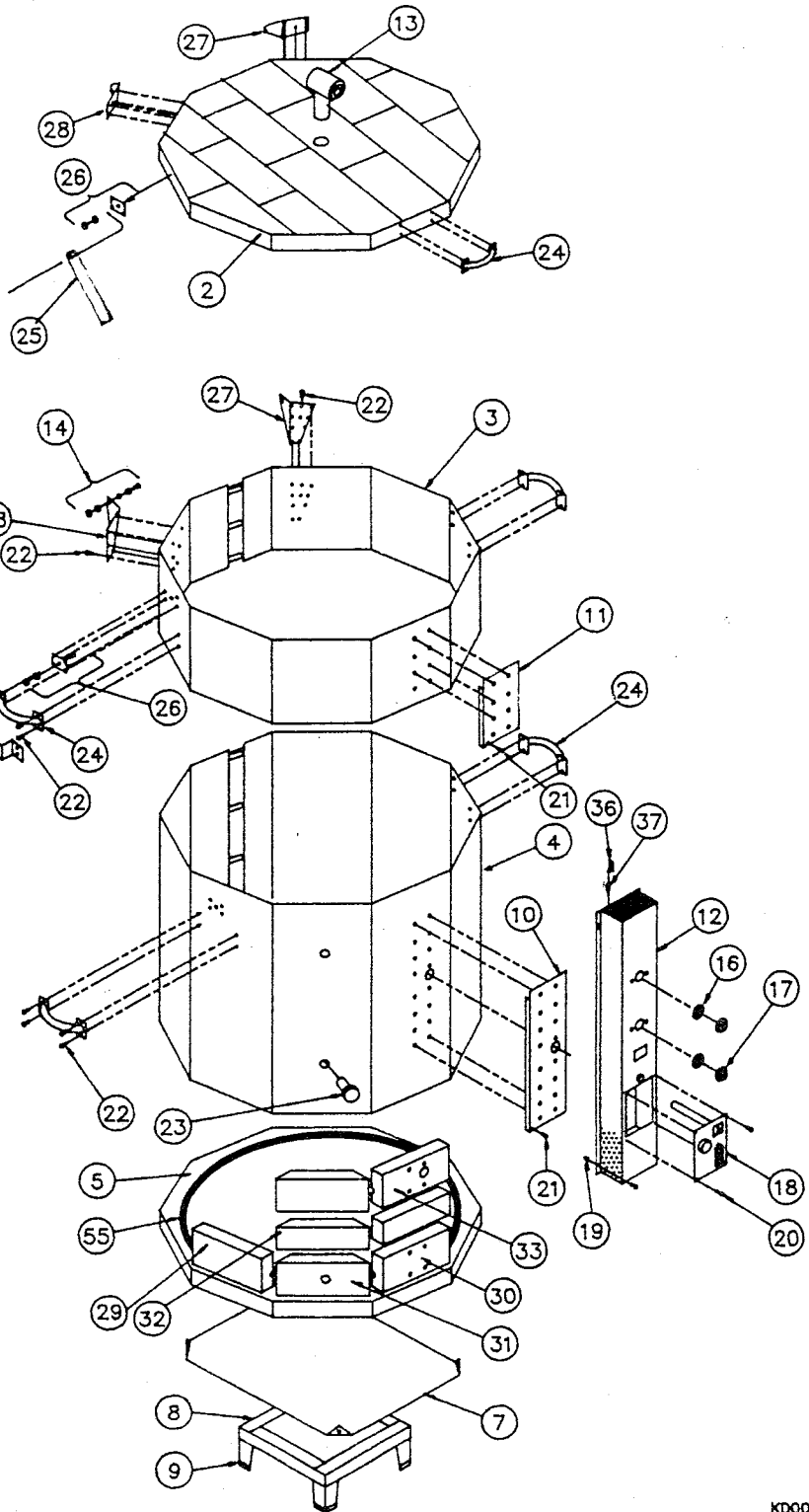
DUNCAN MODELS DA 1029-6Z

BODY PARTS

REF. PART
NO. NO.

DESCRIPTION

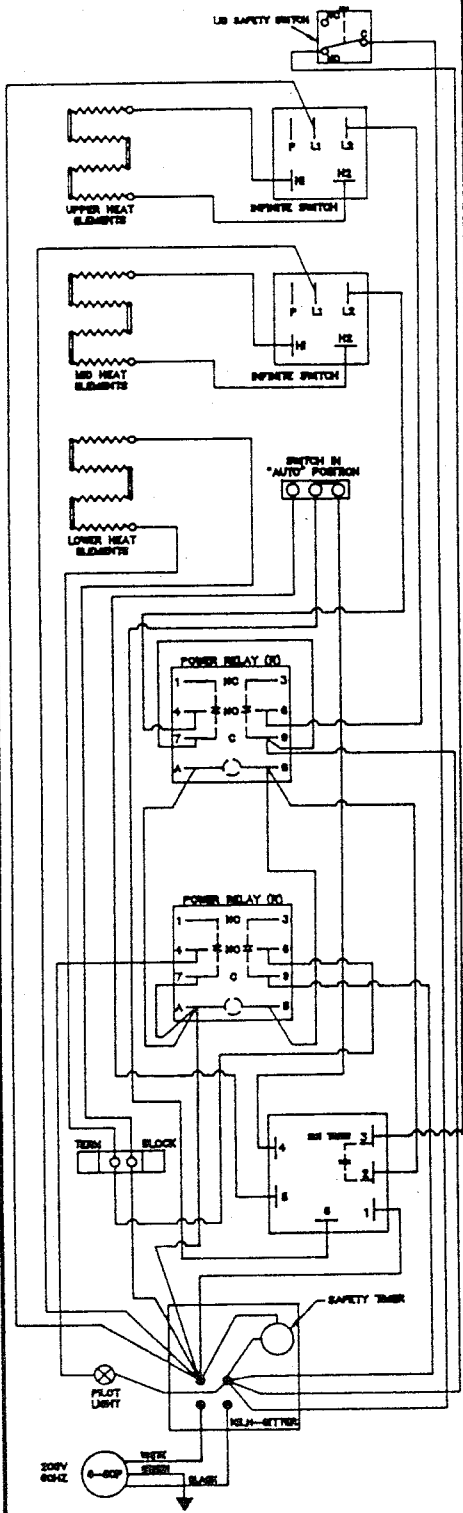
1. KC 117 LID SUPPORT GUARD
2. KC 016 1020/29 BRICK LID (BANDED & COATED) WITH VENT HOLE
3. KC 049 COLLAR CASE W/CLAMPS
4. KC 048 CASE W/CLAMPS
5. KC 003 1020/29 BRICK BOTTOM
6. KP 303 BASE PLATE
7. KC 070 STAND W/FEET
8. KE 030 STAND FEET
9. KP 028 HEAT SHIELD
10. KP 024 COLLAR HEAT SHIELD
11. KC 035 CONTROLL PANEL SHELL
12. KA 031 LID VENT PLUG
13. KC 222 HINGE PIVOT KIT
14. KM 302 PAL NUT
15. KM 319 EA SWITCH KNOB
16. KM 200 KILN-SITTER W/SAFETY TIMER
17. KM 333 1020/29 POWER SUPPLY CORD
18. KE 343 1020/29 STRAIN RELIEF
19. KE 302 #8 X 1" SHEET METAL SCREW
20. KE 301 #8 X 1/2" SHEET METAL SCREW
21. KA 030 PEEPHOLE PLUG
22. KE 009 HANDLE
23. KC 112 1020/29 LID SUPPORT
24. KC 115 LID SUPPORT MOUNTING KIT
25. KC 203 RIGHT HINGE W/PIVOT
26. KC 213 LEFT HINGE W/PIVOT
27. KB 003 GROOVED BRICK
28. KB 013 TERMINAL BRICK
29. KB 023 PEEPHOLE BRICK
30. KB 043 HALF BRICK
31. KB 053 KILN SITTER BRICK
32. KC 096 2 POLE TERMINAL STRIP
33. KM 324 POWER RELAY
34. KM 327 2 IN 1 TIMER
35. KE 111 TEFLON ACTUATOR KIT
36. KE 307 #8-32 X 1 1/4 SCREW
37. KC 138 14" CONNECTING WIRE 18 GA.
38. KC 139 9" CONNECTING WIRE 12 GA.
39. KE 329 #8-32 NUT W/LOCKWASHER
40. KC 352 12,6 WIRE COMBO 16 GA.
41. KM 300 INFINITE SWITCH W PAL NUT
42. KC 167 6" CONNECTING WIRE, 16 GA.
43. KC 181 12,9,9, WIRE COMBO, 16 GA.
44. KC 186 22,4 WIRE COMBO 16 GA.
45. KC 176 16" CONNECTING WIRE, 12 GA.
46. KM 383 4" FIBERGLASS SLEEVING
47. KC 409 STANDARD BUSS BAR ASSEMBLY
48. KC 319 U-TERMINAL ASSEMBLY
49. KE 060 INSULATOR
50. KM 362 CONTROL RELAY
51. KA 031 LID VENT PLUG
52. KE 111 LID SWITCH GUIDE
53. KE 220 ELEMENTS (220V)
54. KE 303 6 X 1/2" SHEET METAL SCREW
55. KE 311 #10-32 MACHINE SCREW
56. KC 182 22,6 WIRE COMBO, 16 GA.
57. KE 314 #8-32 X 1/2" MACHINE SCREW
58. KE 321 #10 STAR WASHER
59. KC 322 #6 STAR WASHER
60. KC 184 22,4 WIRE COMBO, 16 GA.
61. KC 162 6" CONNECTING WIRE, 12 GA.
62. KE 332 #10-32 HEX NUT
63. KC 333 #6-32 HEX NUT
64. KC 381 3 POSITION SWITCH
65. KC 364 9" CONNECTING WIRE, 12GA.



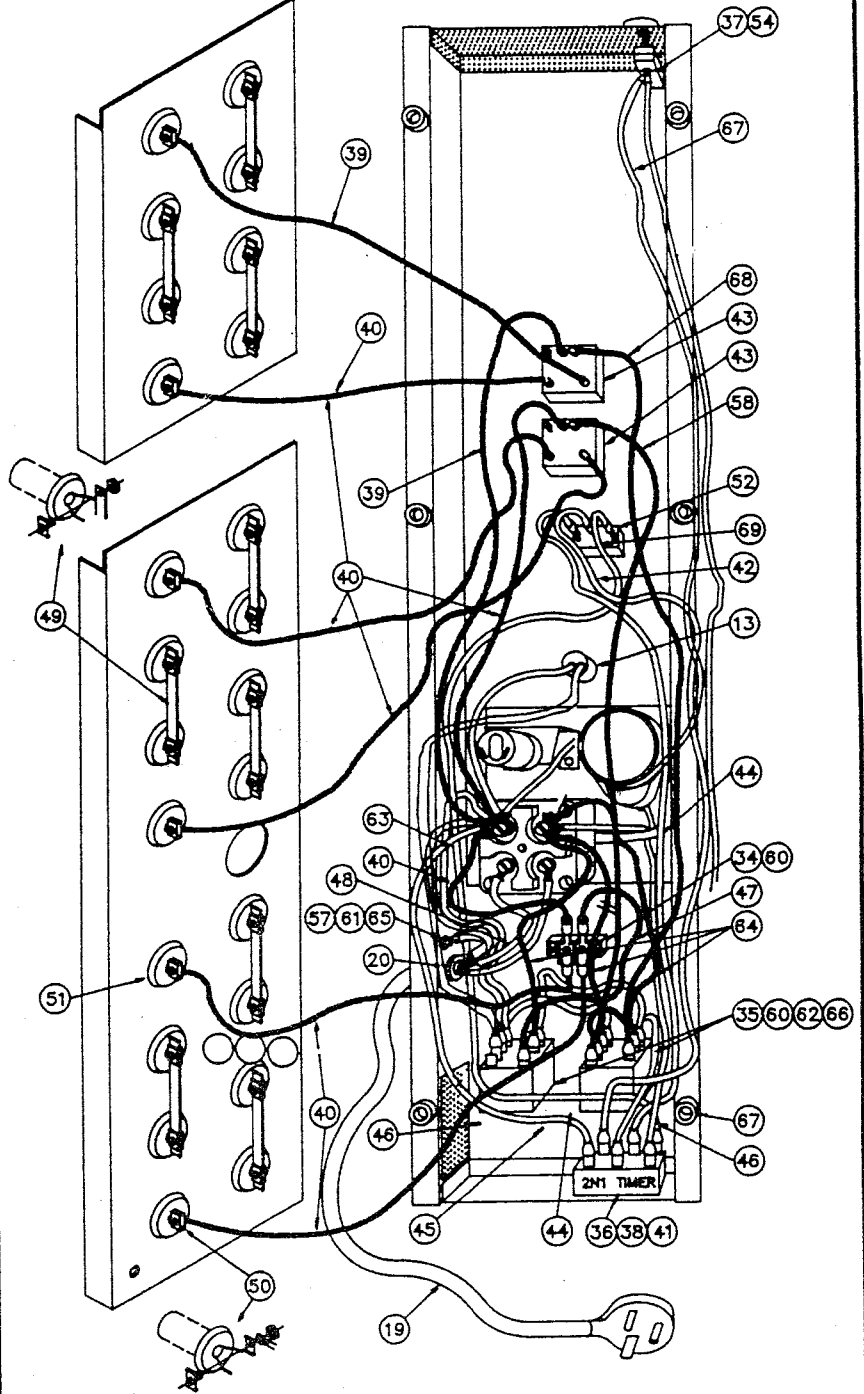
KD0085

DUNCAN MODELS DA 1029-6Z

ELECTRICAL SCHEMATIC



CONTROL PANEL PARTS

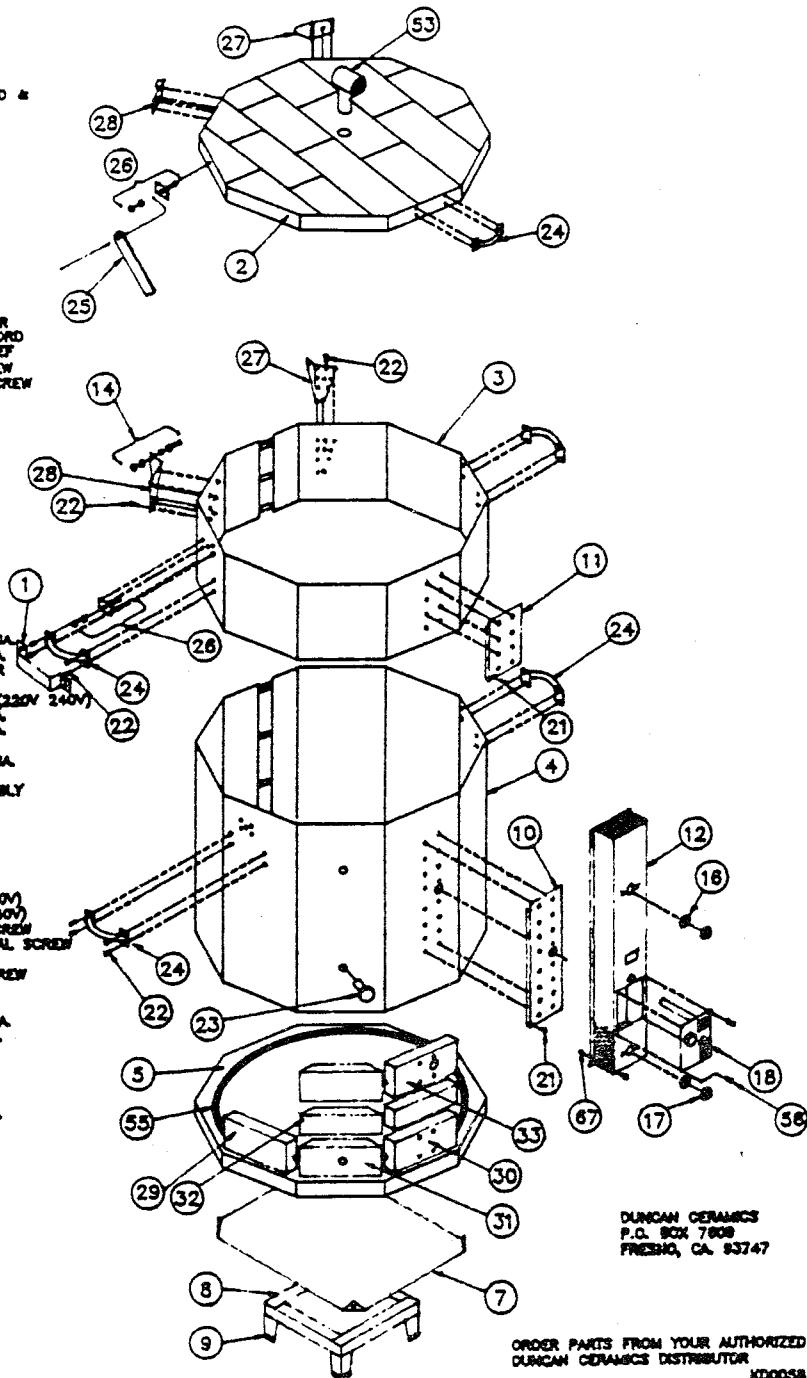


KD0085

DUNCAN MODEL DA 1029-N

BODY PARTS

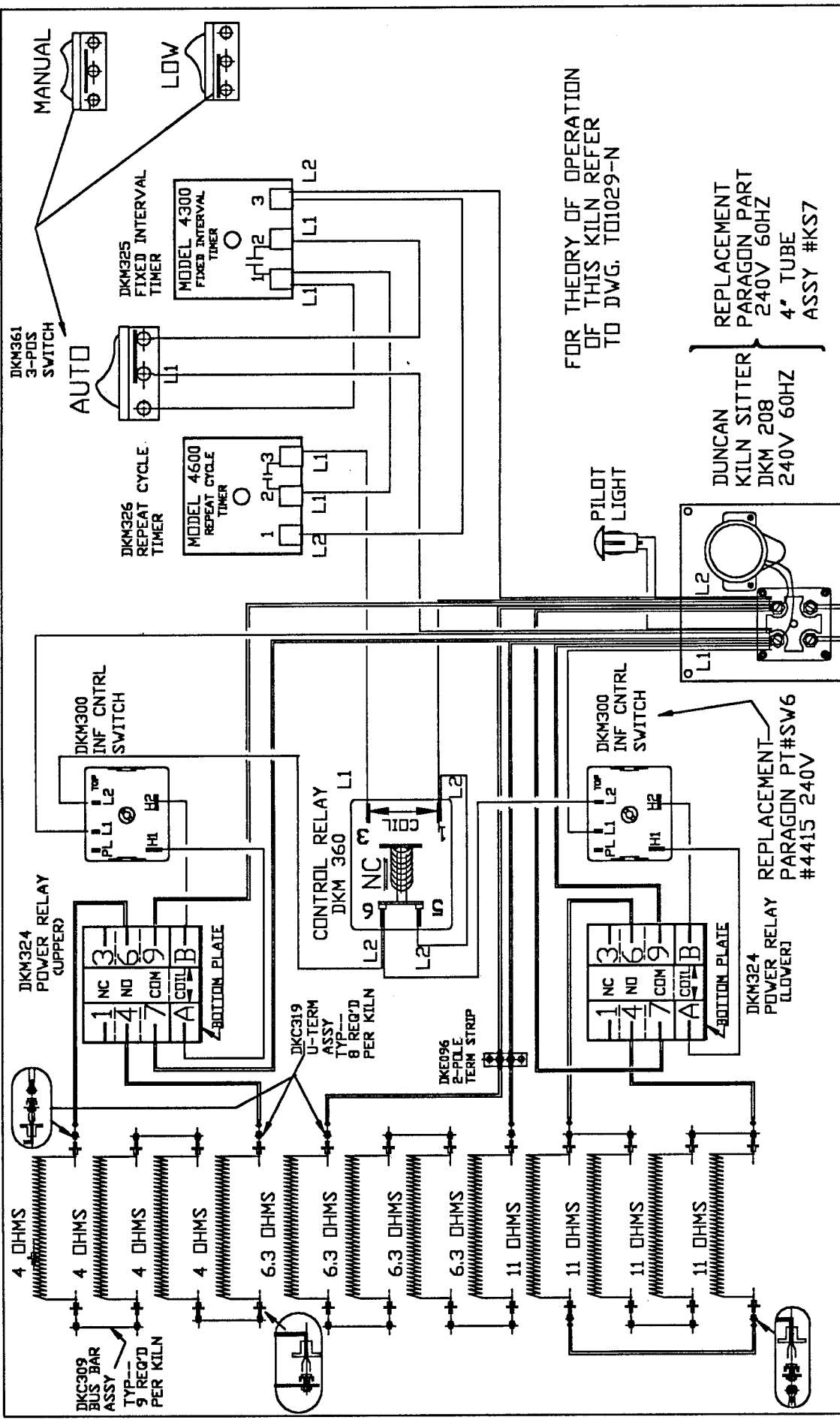
REF. PART NO., NO.	DESCRIPTION
1.	KC 117 LID SUPPORT GUARD
2.	KC 016 1020/29 BRICK LID (BANDED & COATED) WITH VENT HOLE
3.	KC 049 COLLAR GASK W/CLAMPS
4.	KC 048 CASE W/CLAMPS
5.	KC 003 1020/29 BRICK BOTTOM
7.	KP 303 BASE PLATE
8.	KC 070 STAND W/FEET
9.	KE 030 STAND FEET
10.	KP 028 HEAT SHIELD
11.	KP 024 COLLAR HEAT SHIELD
12.	KC 035 CONTROL PANEL SHELL
13.	KA 183 PILOT LIGHT
14.	KC 222 HINGE PIVOT KIT
16.	KM 302 PAL NUT
17.	KM 319 6A SWITCH KNOB
18.	KM 208 KILN-SITTER W/SAFETY TIMER
19.	KM 333 1020/29 POWER SUPPLY CORD
20.	KE 343 1020/29 CORD STRAIN RELIEF
21.	KE 302 #8 X 1" SHEET METAL SCREW
22.	KE 301 #8 X 1/2" SHEET METAL SCREW
23.	KA 030 PEEPHOLE PLUG
24.	KE 009 HANDLE
25.	KC 112 1020/29 LID SUPPORT
26.	KC 115 LID SUPPORT MOUNTING KIT
27.	KC 203 RIGHT HINGE W/PIVOT
28.	KC 213 LEFT HINGE W/PIVOT
29.	KB 003 GROOVED BRICK
30.	KB 013 TERMINAL BRICK
31.	KB 023 PEEPHOLE BRICK
32.	KB 043 HALF BRICK
33.	KB 053 KILN SITTER BRICK
34.	KE 084 2 POLE TERMINAL STRIP
35.	KM 324 POWER RELAY
36.	KM 321 2N1 TIMER
38.	KE 307 #8-32 X 1 1/8" SCREW
39.	KD 138 1/8" CONNECTING WIRE, 12 GA.
40.	KD 139 1/8" CONNECTING WIRE, 12 GA.
41.	KE 328 #8-32 NUT W/LOCK WASHER
42.	KC 352 12.6 WIRE COMBO 18 GA.
43.	KM 300 INFINITE SWITCH W/PAL NUT(220V 240V)
44.	KC 187 6" CONNECTING WIRE, 18 GA.
45.	KC 189 12" CONNECTING WIRE, 18 GA.
46.	KC 184 22.4 WIRE COMBO, 18 GA.
47.	KC 178 16" CONNECTING WIRE, 12 GA.
48.	KM 383 4" FIBERGLASS SLEEVING
49.	KC 308 STANDARD BUSS BAR ASSEMBLY
50.	KC 318 U-TERMINAL ASSEMBLY
51.	KE 080 INSULATOR
52.	KM 340 CONTROL RELAY
53.	KA 031 LID VENT PLUG
54.	KM 342 CAPACITOR ASSEMBLY #2
55.	KE 223 TOP FOUR ELEMENTS(240V)
56.	KE 227 MIDDLE FOUR ELEMENTS (240V)
57.	KE 229 BOTTOM FOUR ELEMENTS (240V)
58.	KE 303 #8 X 1/2" SHEET METAL SCREW
59.	KE 311 #10-32 X 1/2" SHEET METAL SCREW
60.	KC 182 22.18 WIRE COMBO 18 GA.
61.	KE 314 #8-32 X 1/2" MACHINE SCREW
62.	KE 322 #10 STAR WASHER
63.	KE 354 1/8" CONNECTING WIRE 18 GA.
64.	KC 182 6" CONNECTING WIRE 12 GA.
65.	KE 332 #10 HEX NUT
66.	KE 333 #8 HEX NUT
67.	KE 341 1/8" STAND OFF
68.	KC 341 J POSITION SWITCH
70.	KC 364 9" CONNECTING WIRE 12 GA.



DUNCAN CERAMICS
P.O. BOX 7908
FRESNO, CA. 93747

ORDER PARTS FROM YOUR AUTHORIZED
DUNCAN CERAMICS DISTRIBUTOR

KD0038



FOR THEORY OF OPERATION
OF THIS KILN REFER
TO DWG. T01029-N

REPLACEMENT
PARAGON PART
240V 60HZ
4" TUBE
ASSY #KS7

POWER REQ'TS
240 VOLTS
1 PHASE
60 HERTZ
45 AMPS
10800 WATTS

WIRING NOTE
WIRES SHOWN THUSLY
TO BE 12GA SEV/SF2 MINIMUM
WIRES SHOWN THUSLY
TO BE 14GA SEV/SF2 MINIMUM

TO RE-ORDER ELEMENTS, SPECIFY DESCRIPTION	QTY	LOC
DKE 223	4	TOP
DKE 237	4	MID
DKE 239	4	BOTT

*THE PRO - 10 SIDES
(WITH 2 TIMERS)

WIRING DIAGRAM

DUNCAN MODEL EA & DA 1029-2
240V 1 PH 60HZ 10800W

SERVED BY
PARAGON INDUSTRIES, INC
2011 SOUTH TOWN EAST BLVD
MESQUITE, TEXAS 75149-1122

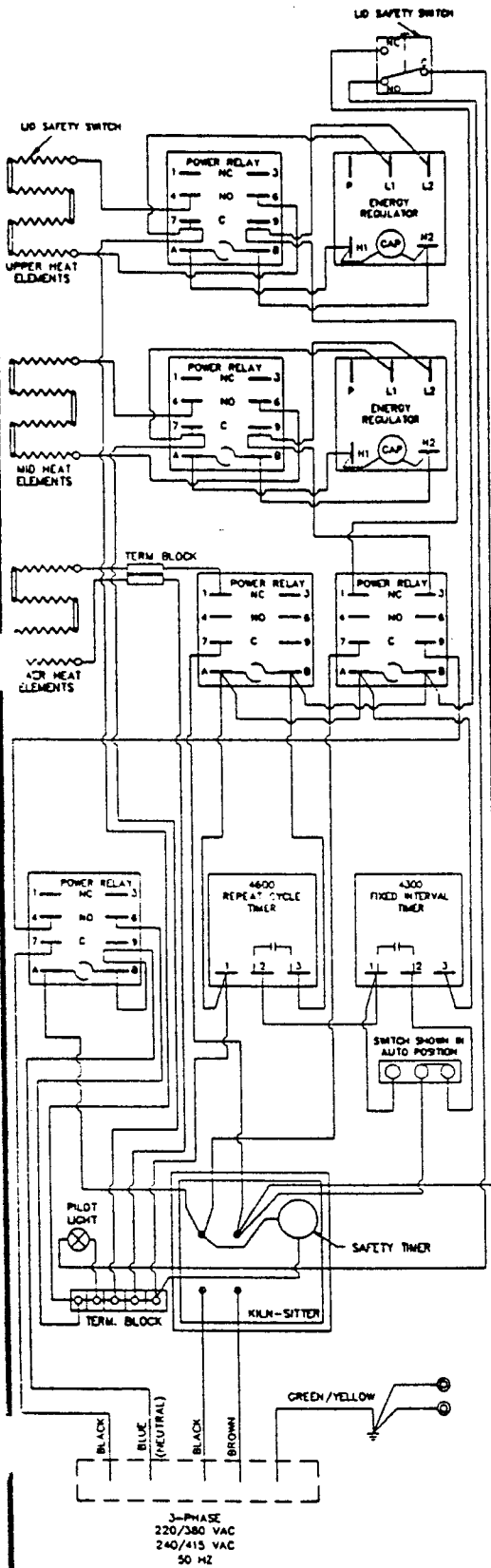
ORIGINAL DATE	ISSUE BY	11-10-98	DESCRIPTION	BY	NJM

REVISIONS
PART NO. DA1029-N
By Norm Montesino

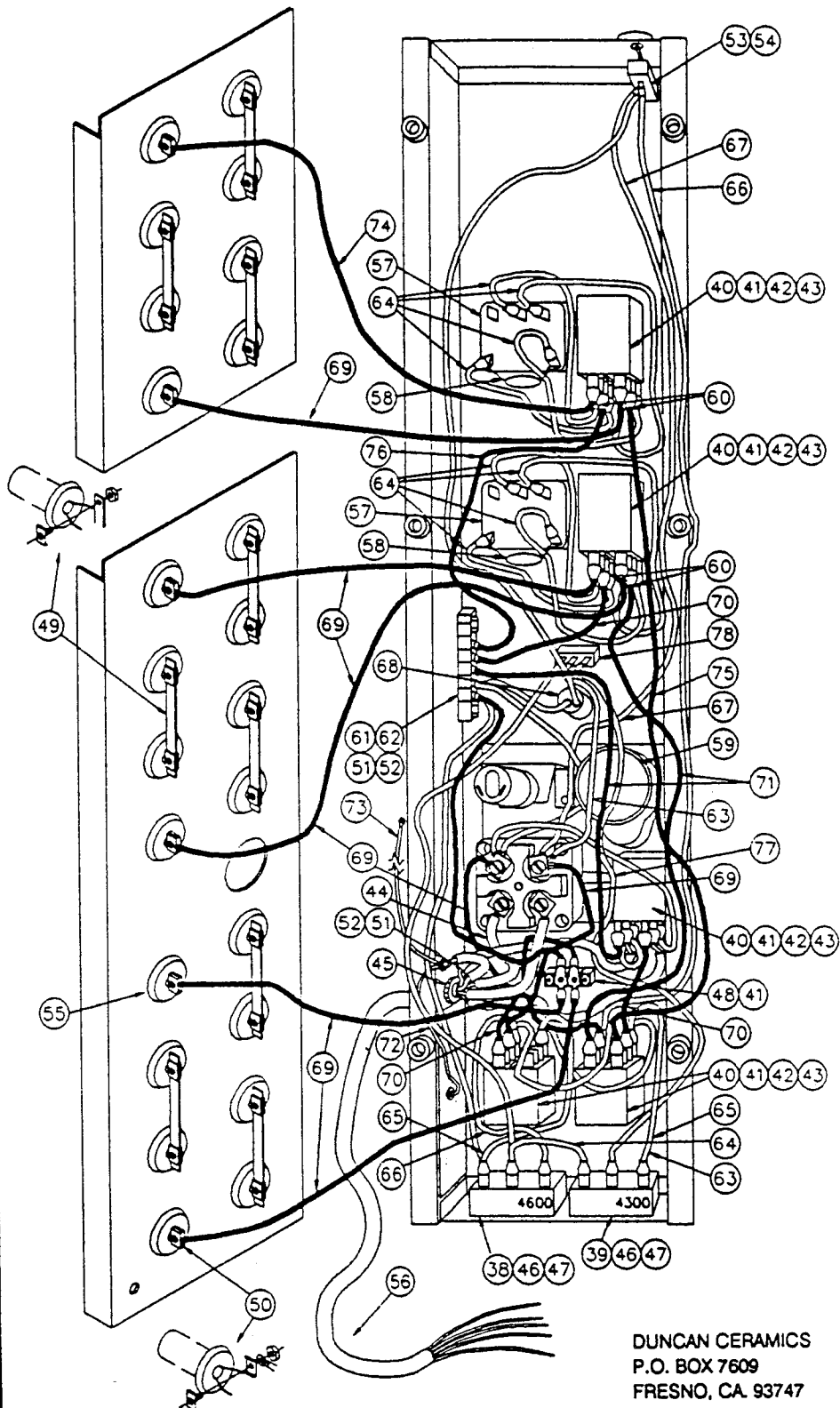
REV
FILE

DUNCAN MODEL EA 1029-6

ELECTRICAL SCHEMATIC



CONTROL PANEL PARTS

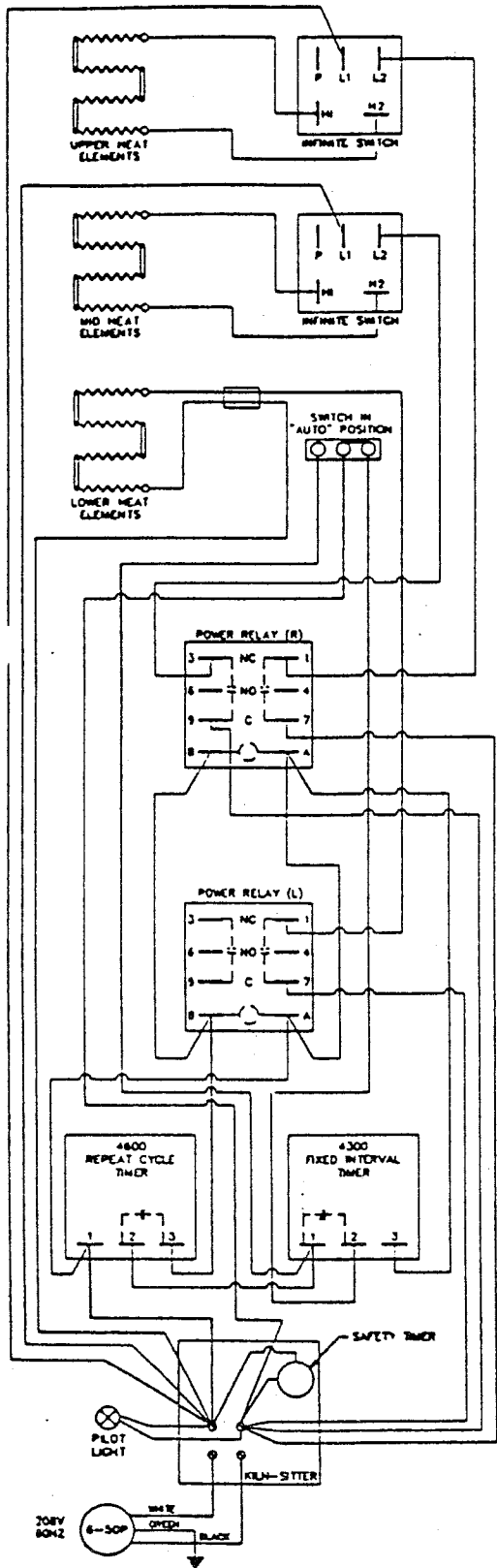


DUNCAN CERAMICS
P.O. BOX 7609
FRESNO, CA. 93747

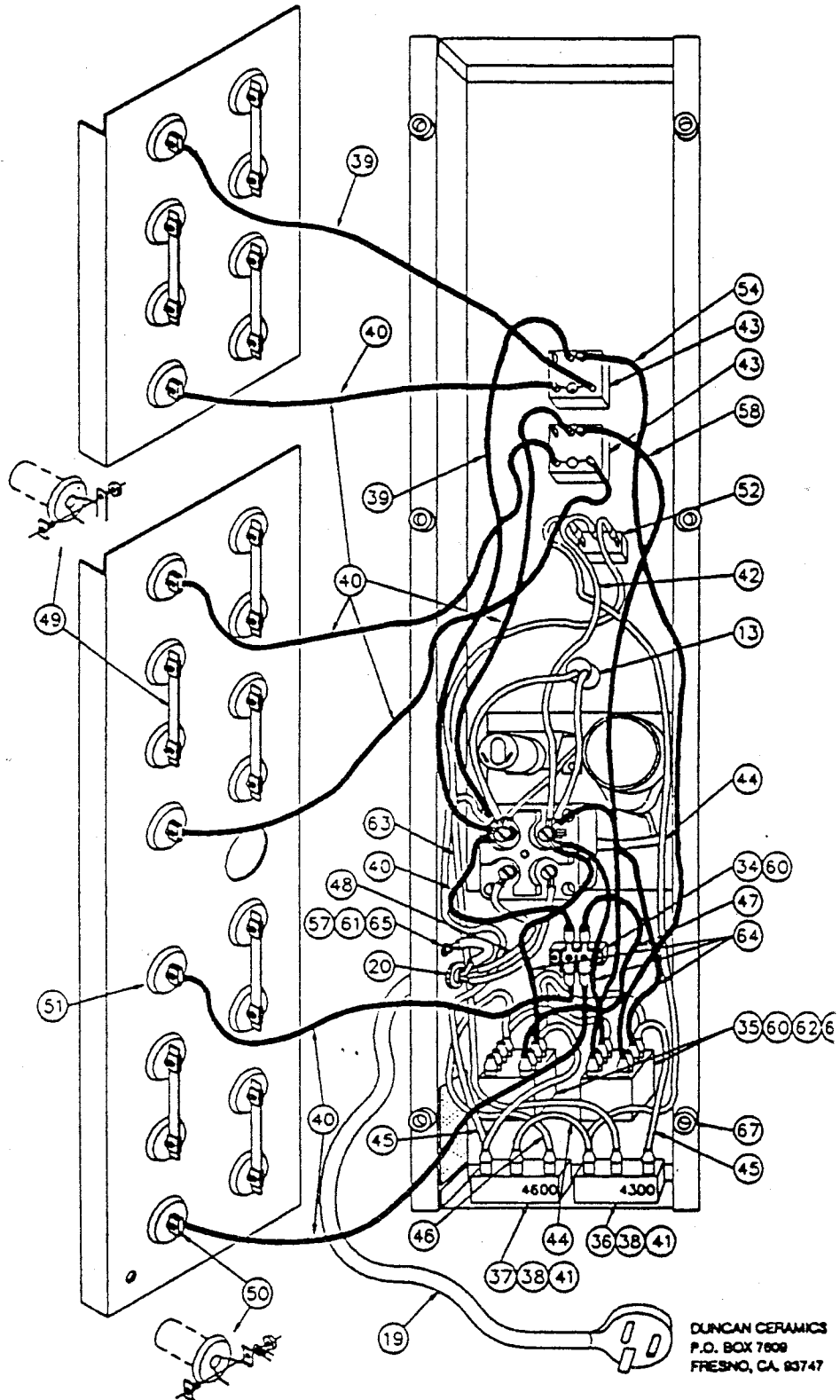
(SEE OPPOSITE SIDE FOR PARTS LIST)

DUNCAN MODEL EA 1029-6L

ELECTRICAL SCHEMATIC



CONTROL PANEL PARTS

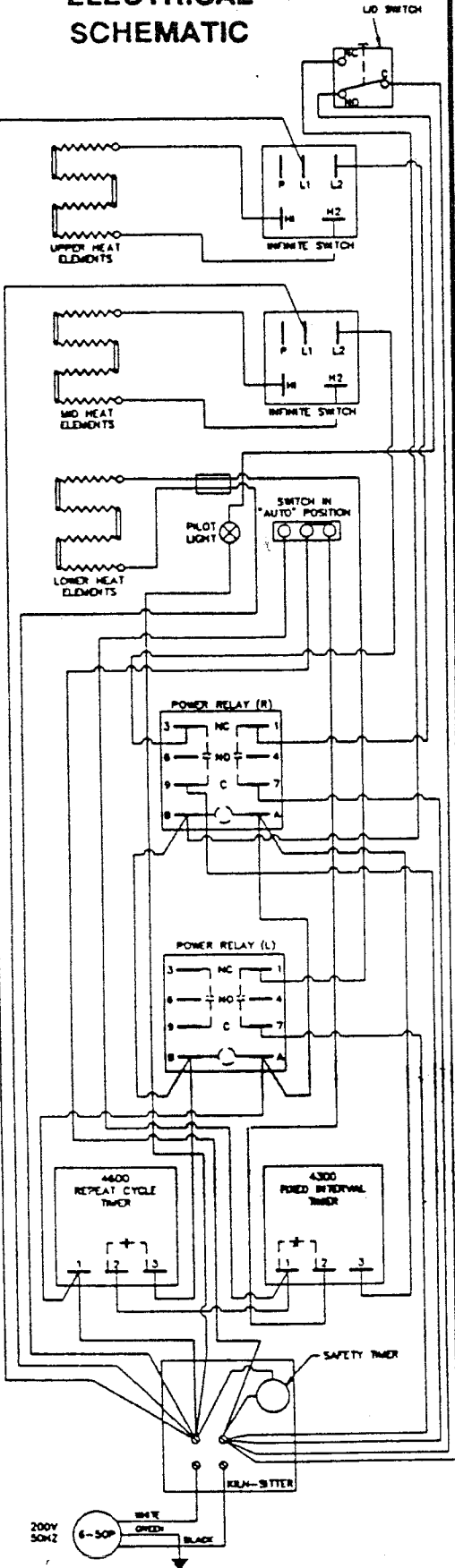


DUNCAN CERAMICS
P.O. BOX 7808
FRESNO, CA. 93747

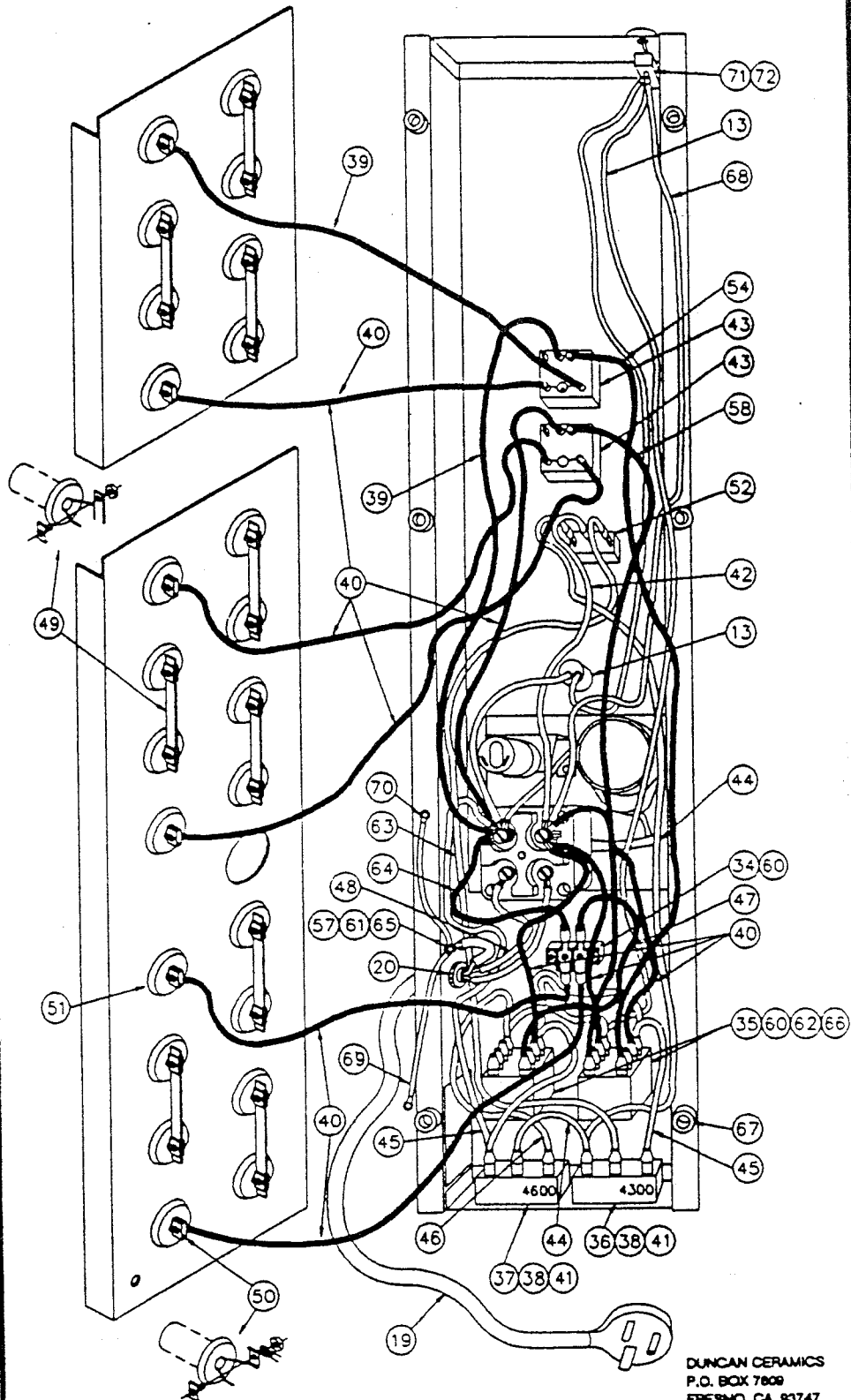
SEE OPPOSITE SIDE FOR PARTS LIST

DUNCAN MODEL EA 1029-8J

ELECTRICAL SCHEMATIC



CONTROL PANEL PARTS



DUNCAN CERAMICS
P.O. BOX 7809
FRESNO, CA. 93747

(SEE OPPOSITE SIDE FOR PARTS LIST)