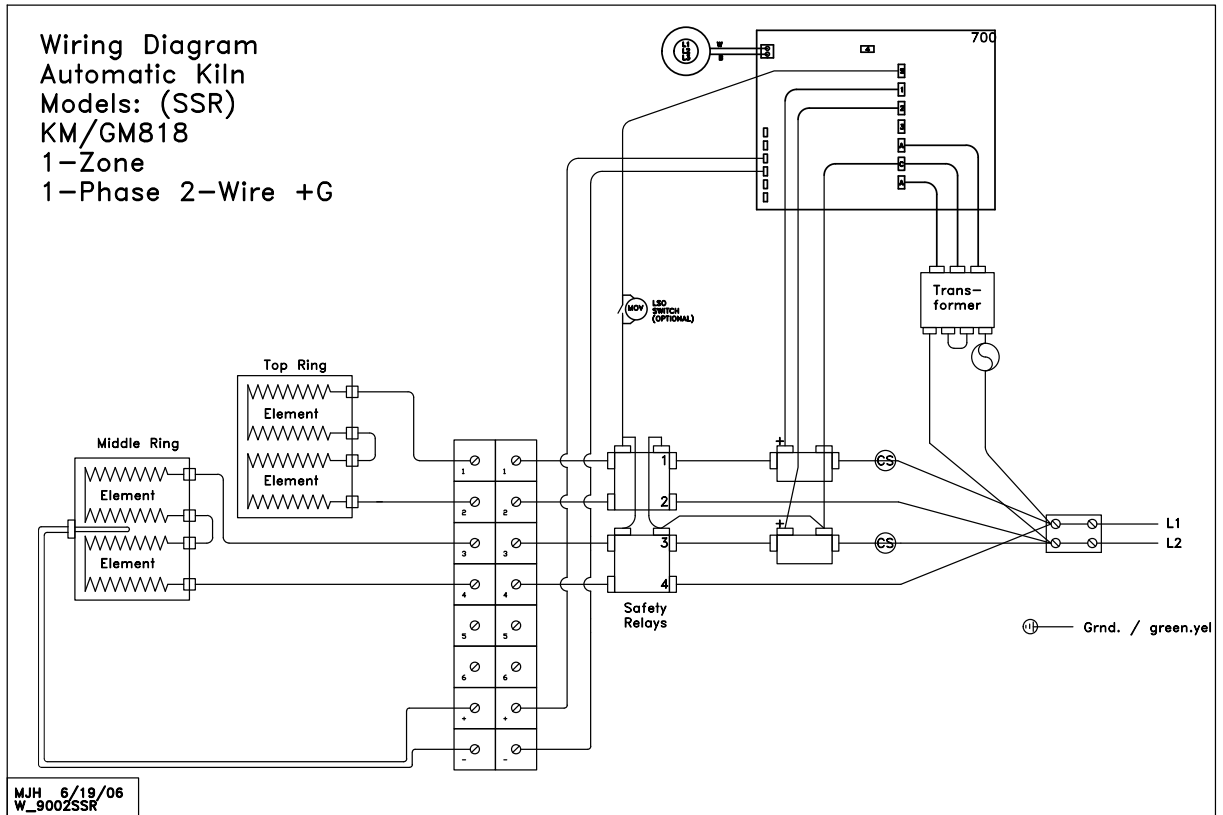




GM818-3CR 1ph

700 BOARD WIRING DIAGRAM

Wiring Diagram
Automatic Kiln
Models: (SSR)
KM/GM818
1-Zone
1-Phase 2-Wire +G



WIRING DIAGRAMS