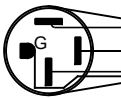


**NOTES:**

Control Wire:  
16 AWG, 105°C  
Power Wire:  
10 AWG, 150°C

Industrial & commercial applications may require the installation of a LOCKOUT/TAGOUT device to prevent the Kiln from operating during maintenance.

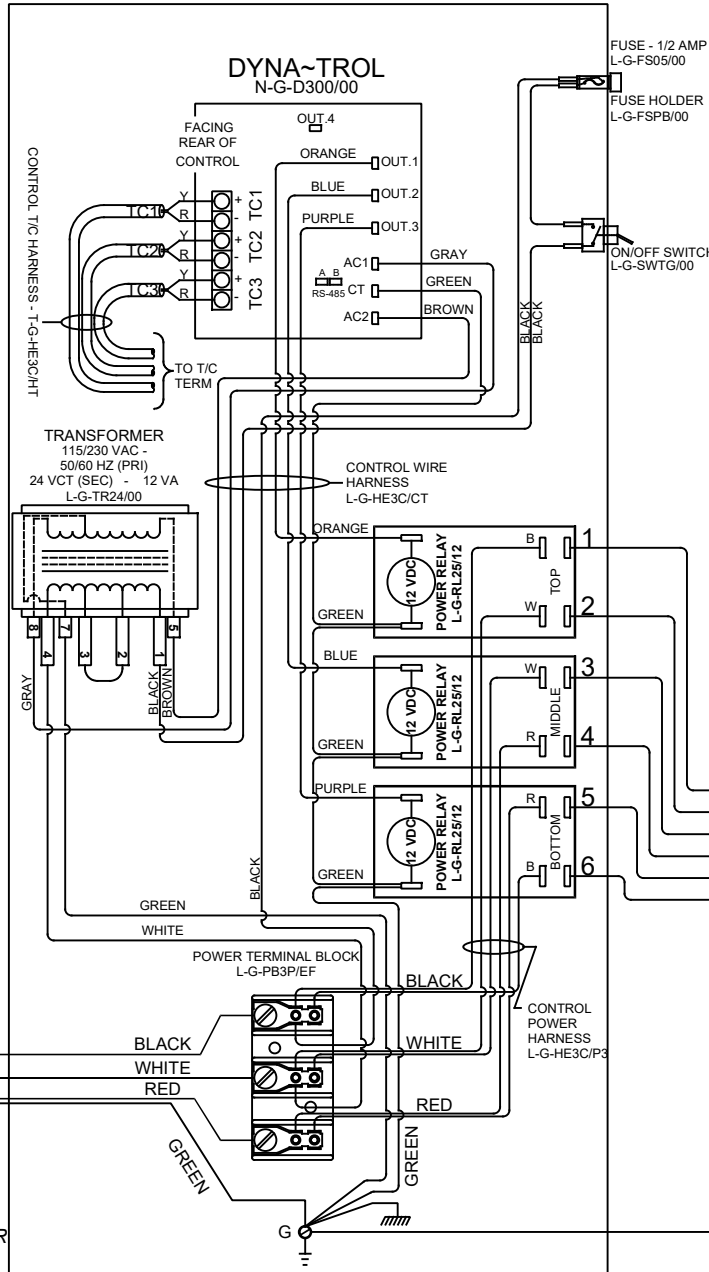
This Kiln is recommended to be wired & connected to an approved U. L. & NEC configured receptacle controlled with a disconnect switch and properly fused according to the KW load load specification listed on the Kiln Nameplate. L&L Kiln Mfg., Inc., also recommends fuses rather than circuit breakers to prevent nuisance tripping.



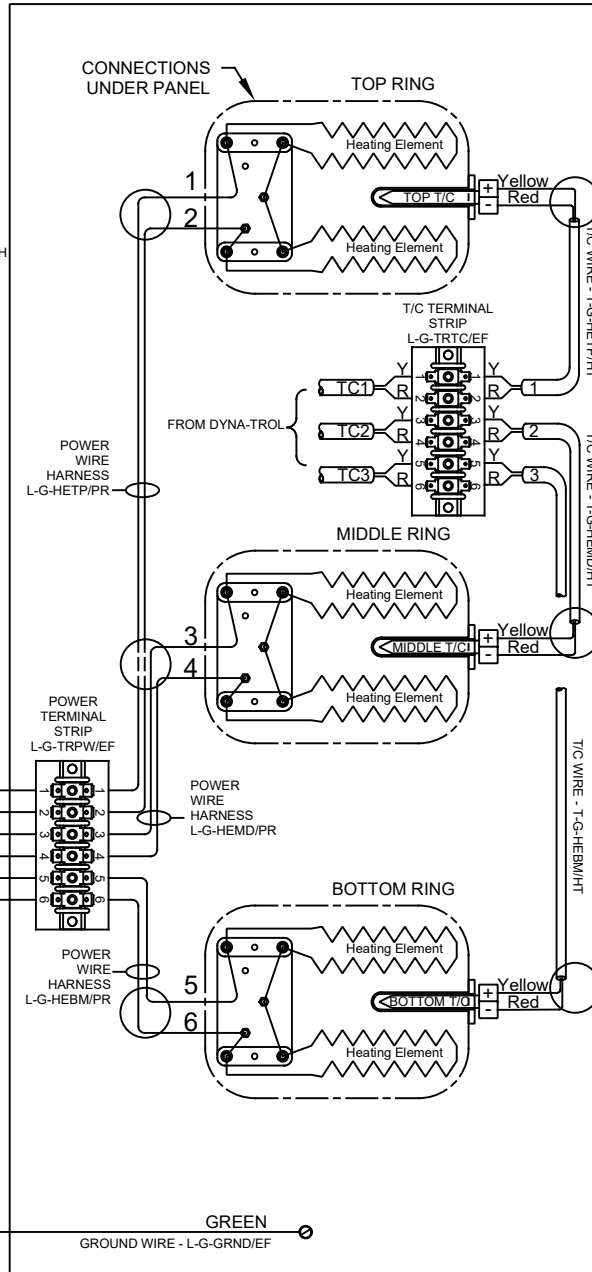
PLUG  
208/240 VAC 3Ø  
NEMA 15-50P  
L-G-PC50/3P

**SAFETY SWITCH BY CUSTOMER**  
Connect to  
240 Volt, 3 Wire, Three Phase - or  
208 Volt, 3 Wire, Three Phase  
DELTA  
50 or 60 Cycles.

LOOKING INSIDE CONTROL PANEL



LOOKING AT OUTSIDE OF ELEMENT COVER PANEL



Model <b>e28T-208-3P</b>	
VOLTAGE	208 / 3 / 50-60
WATTS	14,340
FULL LOAD AMPS	L1   L2   L3 39.8   39.8   39.8
POWER SUPPLY	FUSE   WIRE 50A   6 AWG
ELEMENTS	QTY   OHMS 6   17.4

Model <b>e28T-240-3P</b>	
VOLTAGE	240 / 3 / 50-60
WATTS	16,620
FULL LOAD AMPS	L1   L2   L3 40.0   40.0   40.0
POWER SUPPLY	FUSE   WIRE 50A   6 AWG
ELEMENTS	QTY   OHMS 6   20.0

DRAWING NO. E290-200  
SHEET OF 1/1  
REV 0



505 SHARPTOWN RD.  
SWEDESBORO, NJ 08065  
PHONE: (856) 294-0077  
FAX: (856) 294-0070

TITLE  
**MODEL E28T EASY-FIRE KILN  
3 PHASE WIRING DIAGRAM**

SCALE  
1 = 8

DATE  
10/09/19

DRAWN BY  
T.C.G.

FILE NAME  
E290-200.dwg

MADE FROM  
K286-152.dwg

REV. #	DATE	REVISION DESCRIPTION