

NOTES:

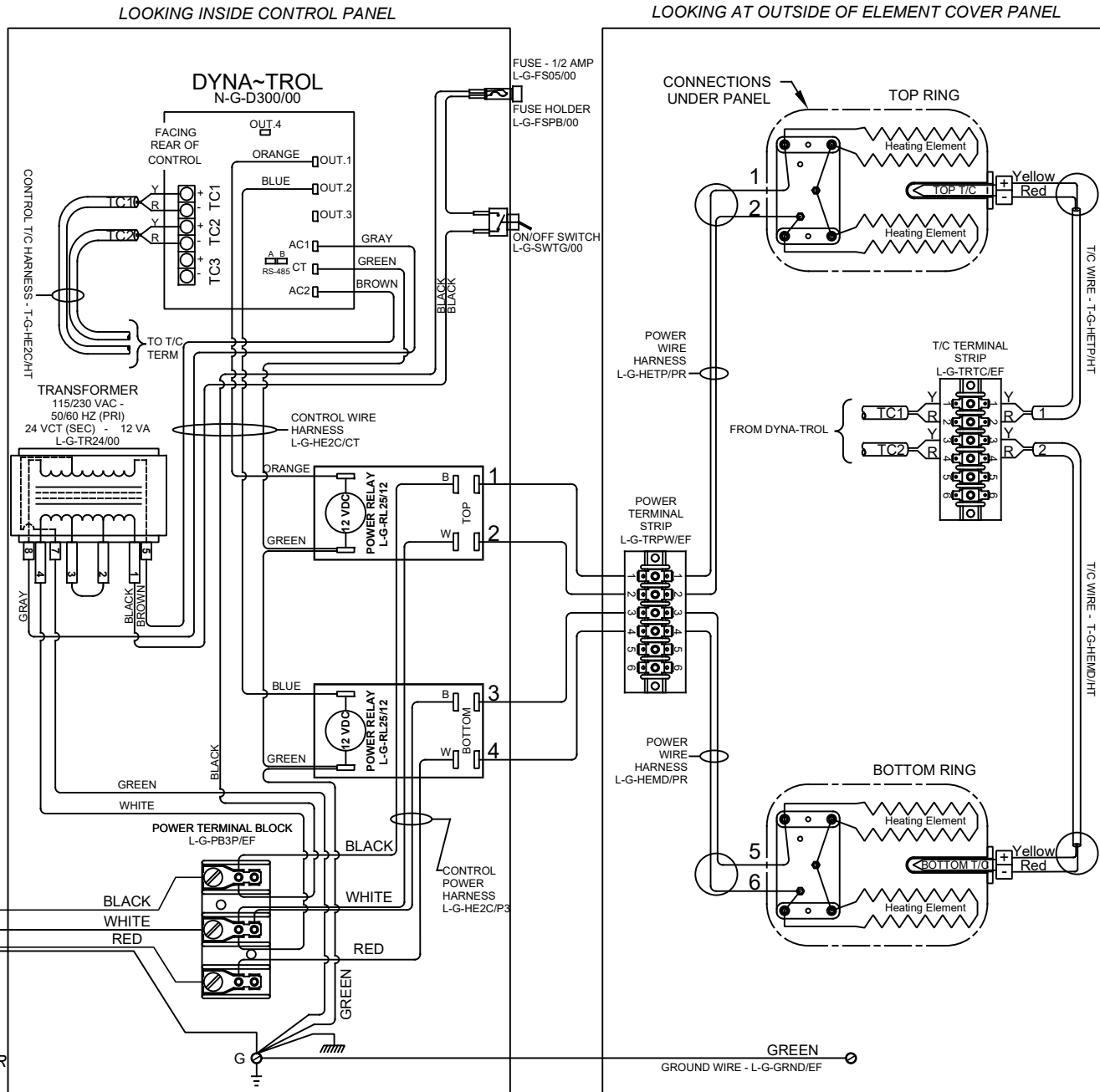
Control Wire:
16 AWG, 105°C
Power Wire:
10 AWG, 150°C

Industrial & commercial applications may require the installation of a LOCKOUT/TAGOUT device to prevent the Kiln from operating during maintenance.

This Kiln is recommended to be wired & connected to an approved U. L. & NEC configured receptacle controlled with a disconnect switch and properly fused according to the KW load specification listed on the Kiln Nameplate. L&L Kiln Mfg., Inc., also recommends fuses rather than circuit breakers to prevent nuisance tripping.



SAFETY SWITCH BY CUSTOMER
Connect to
240 Volt, 2 Wire, Single Phase - or
208 Volt, 2 Wire, Single Phase
50 or 60 Cycles.



Model e23S-208-3P			
VOLTAGE	208 / 3 / 50-60		
WATTS	8,320		
FULL LOAD AMPS	L1	L2	L3
	34.6	20.0	20.0
POWER SUPPLY	FUSE	WIRE	
	50A	6 AWG	
ELEMENTS	QTY	OHMS	
E-E-23SL/21	4	20.0	

Model e23S-240-3P			
VOLTAGE	240 / 3 / 50-60		
WATTS	9,460		
FULL LOAD AMPS	L1	L2	L3
	34.1	19.7	19.7
POWER SUPPLY	FUSE	WIRE	
	50A	6 AWG	
ELEMENTS	QTY	OHMS	
E-E-23SL/31	4	23.44	

REV. #	DATE	REVISION DESCRIPTION