

**evenheat**  
www.evenheat-kiln.com

DATE:  
05/23/16

Evenheat Kiln, Inc. Phone 989-856-2281  
PO Box 399 Fax 989-856-4040  
Caseville, MI 48725

Model: HT-2 STP w/ PI

Panel: 11-16	
240V	30A 7200W 1Ph. DOC #: HT2STP PI

### Alternate Solid State Relay Wiring

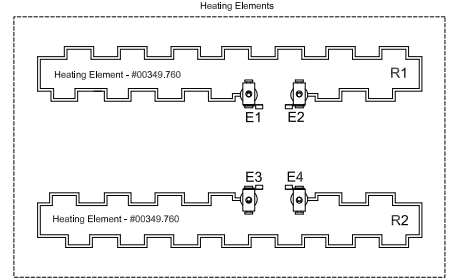
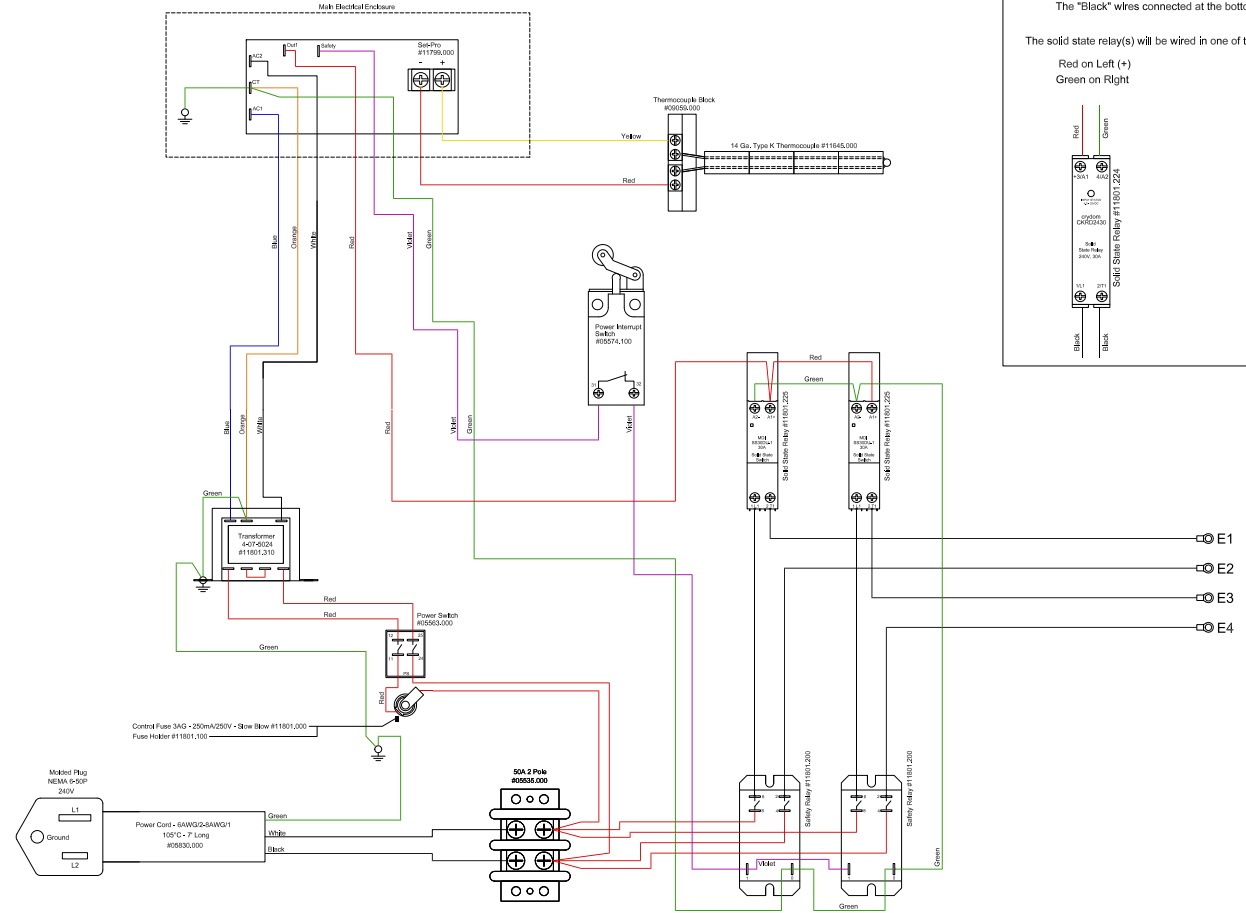
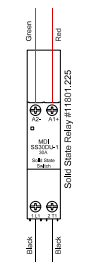
The "Red" wire connected at the top is always attached to the "+" terminal  
 The "Green" wire connected at the top is attached to the opposite terminal  
 The "Black" wires connected at the bottom do not change

The solid state relay(s) will be wired in one of the following two ways

Red on Left (+)  
 Green on Right



Red on Right (+)  
 Green on Left



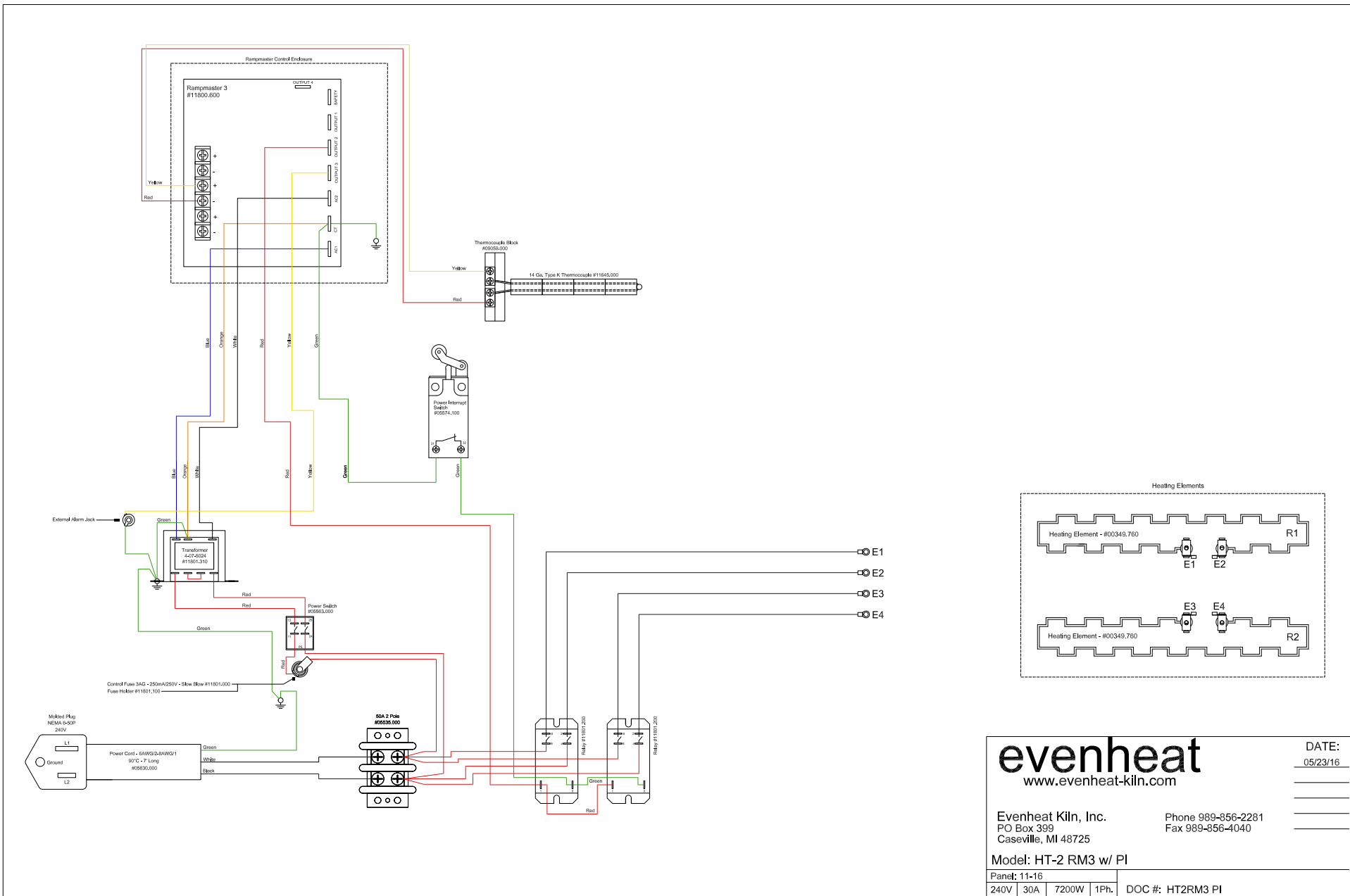
**evenheat**  
 www.evenheat-kiln.com

DATE: 05/23/16

Evenheat Kiln, Inc. Phone 989-856-2281  
 PO Box 399 Fax 989-856-4040  
 Caseville, MI 48725

Model: HT-2 STP SS w/ PI

Panel: 11-16				
240V	30A	7200W	1Ph.	DOC #: HT2STPSS PI



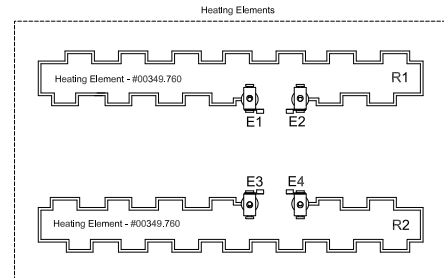
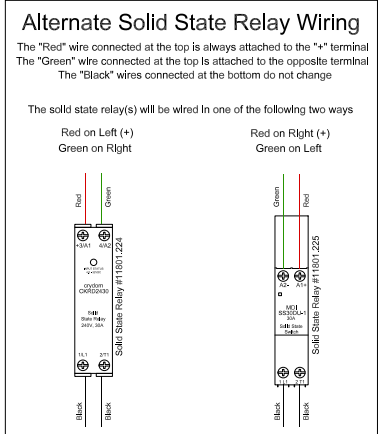
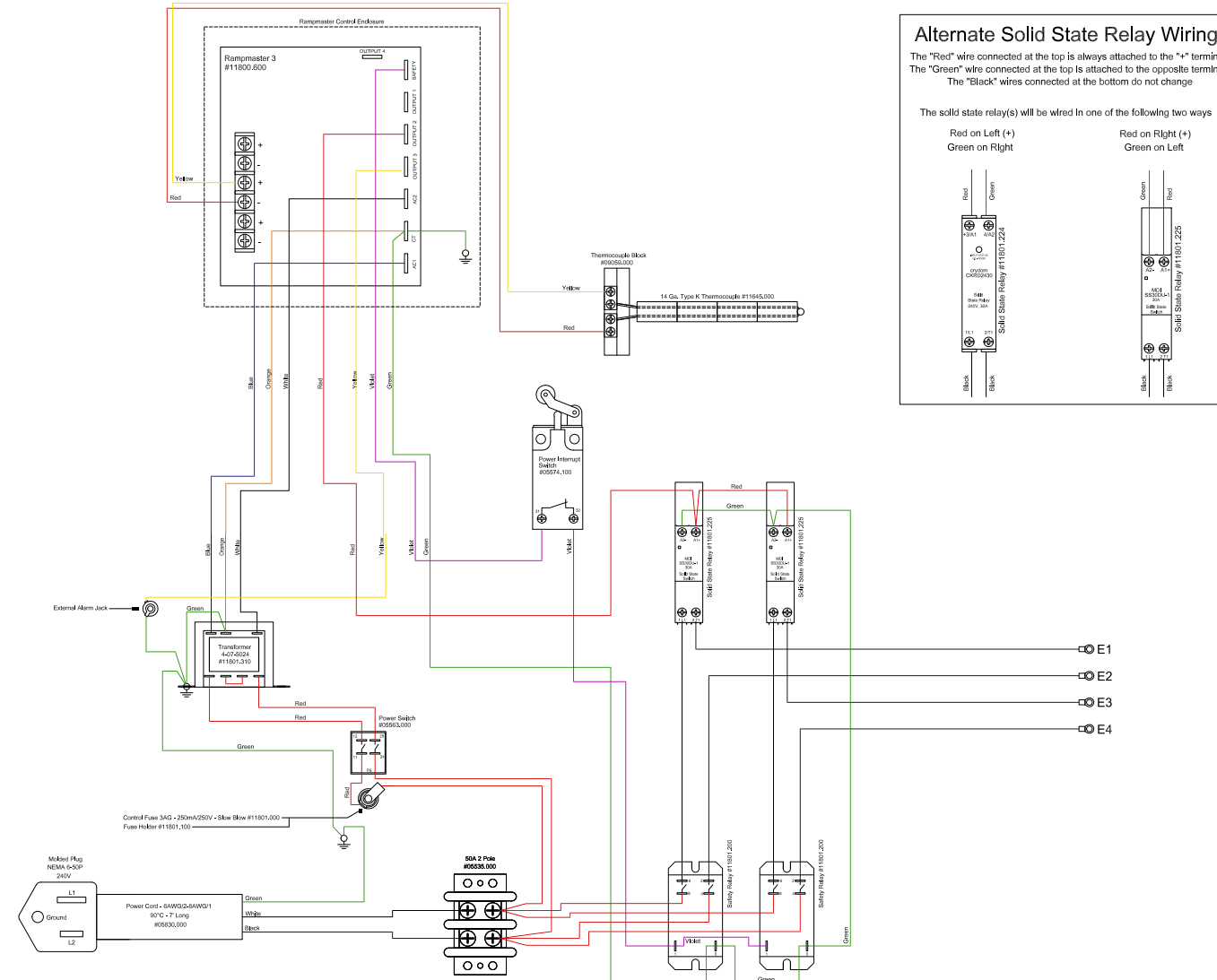
**evenheat**  
www.evenheat-kiln.com

DATE: 05/23/16

Evenheat Kiln, Inc. Phone 989-856-2281  
PO Box 399 Fax 989-856-4040  
Caseville, MI 48725

Model: HT-2 RM3 w/ PI

Panel: 11-16	
240V	30A   7200W   1Ph.   DOC #: HT2RM3 PI



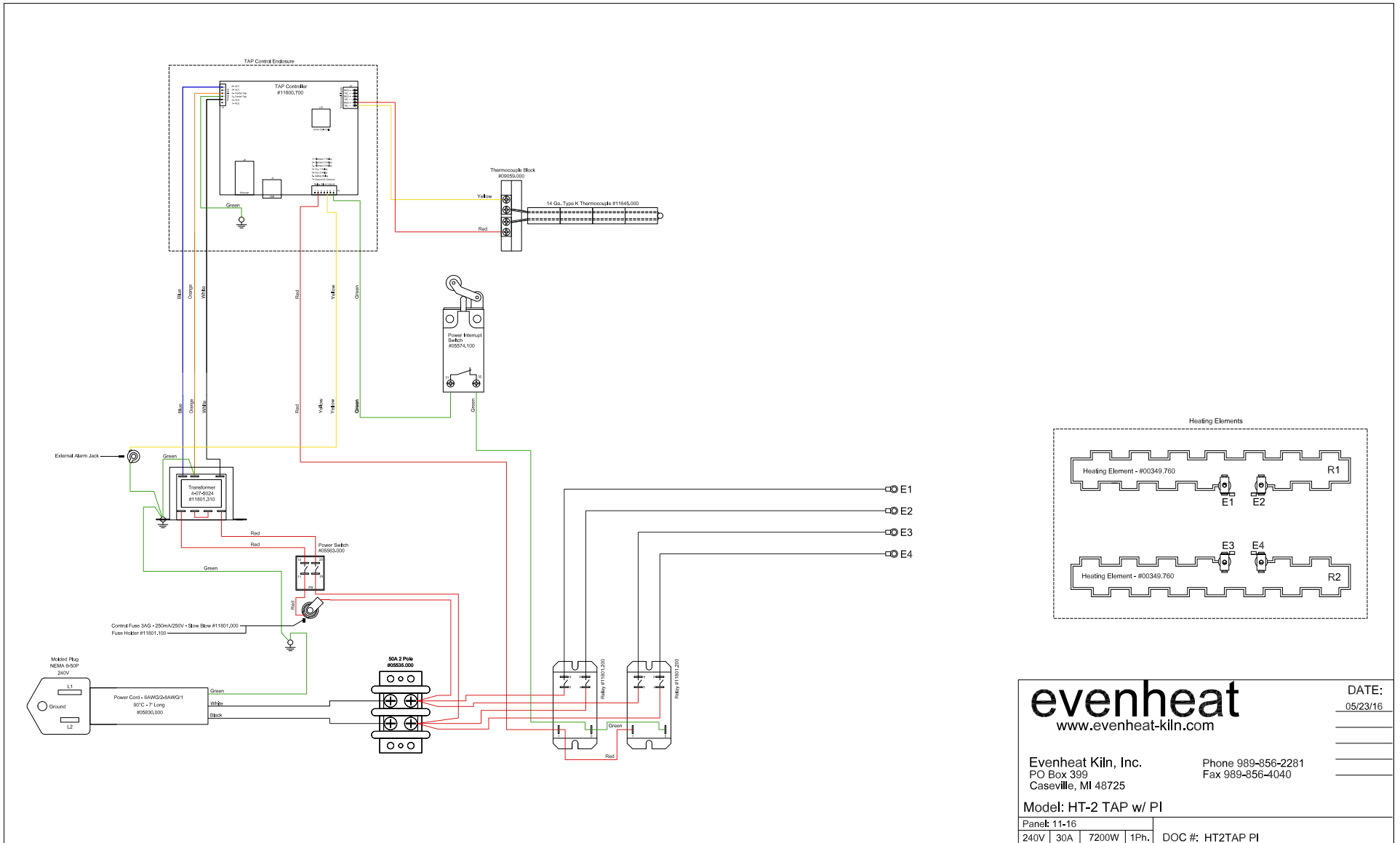
**evenheat**  
 www.evenheat-kiln.com

DATE: 05/23/16

Evenheat Kiln, Inc. Phone 989-856-2281  
 PO Box 399 Caseville, MI 48725 Fax 989-856-4040

Model: HT-2 RM3 SS w/ PI

Panel: 11-16	
240V   30A   7200W   1Ph.	DOC #: HT2RM3SS PI



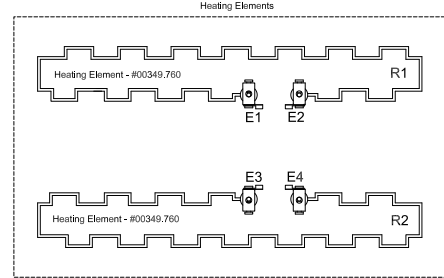
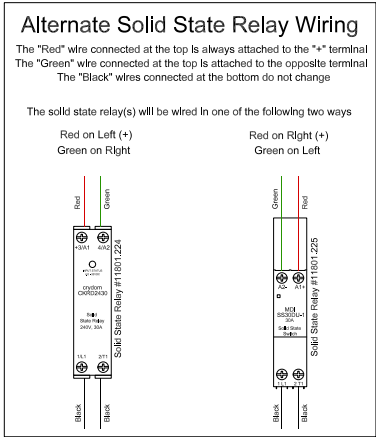
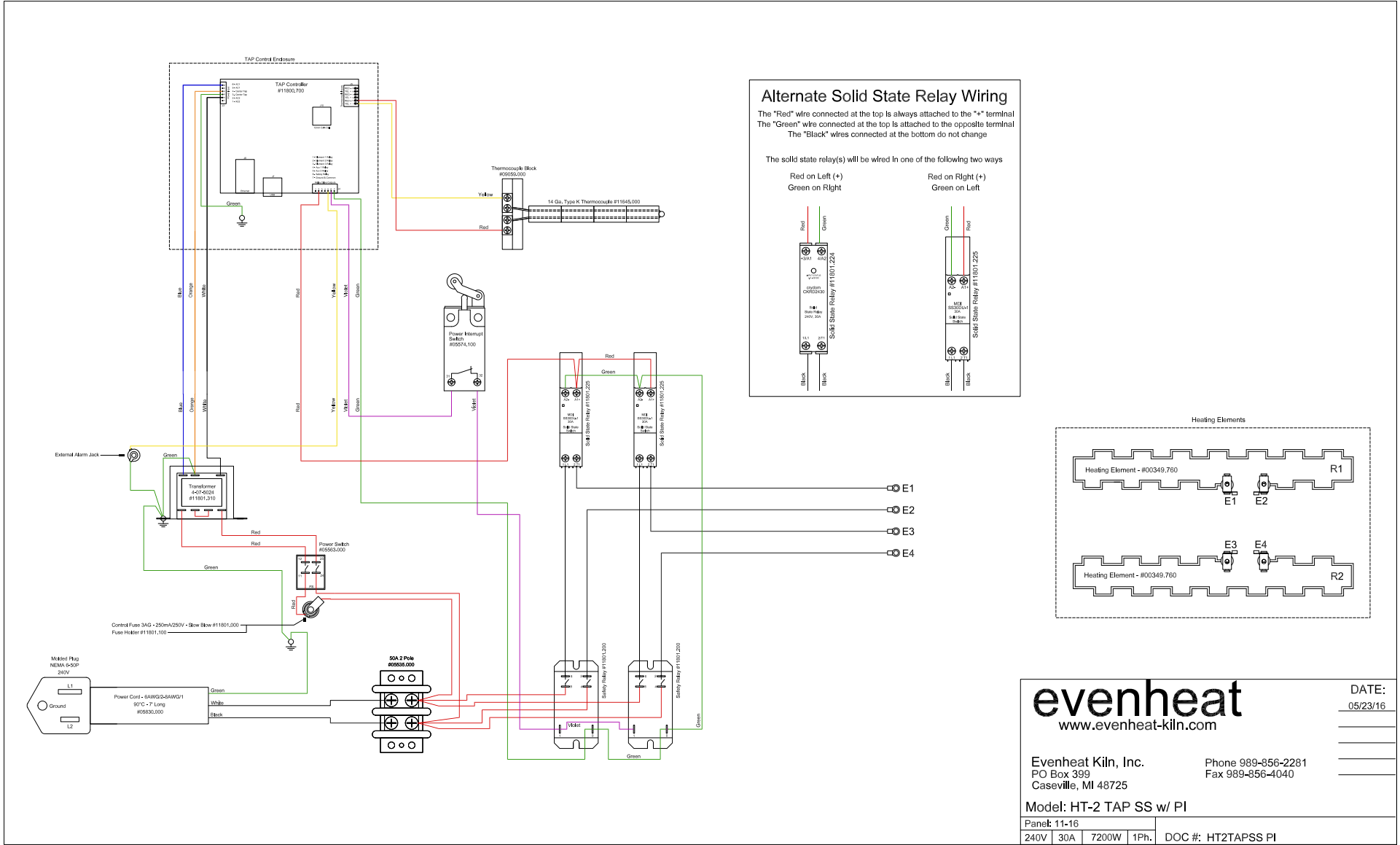
**evenheat**  
www.evenheat-kiln.com

DATE:  
05/23/16

Evenheat Kiln, Inc. Phone 989-856-2281  
PO Box 399 Fax 989-856-4040  
Caseville, MI 48725

Model: HT-2 TAP w/ PI

Panel: 11-16	
240V	30A   7200W   1Ph.   DOC #: HT2TAP PI



# evenheat

www.evenheat-kiln.com

DATE:  
05/23/16

Evenheat Kiln, Inc. Phone 989-856-2281  
 PO Box 399 Fax 989-856-4040  
 Caseville, MI 48725

Model: HT-2 TAP SS w/ PI

Panel: 11-16	
240V	30A   7200W   1Ph.   DOC #: HT2TAPSS PI